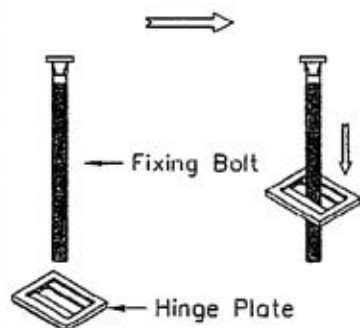


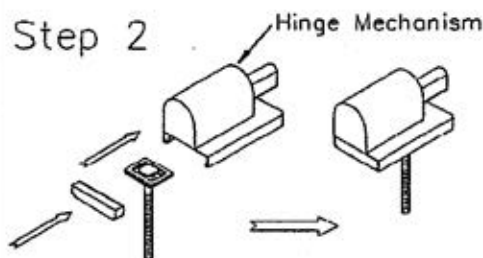
Toilet Seat Fitting Instruction & Product Care

Step 1



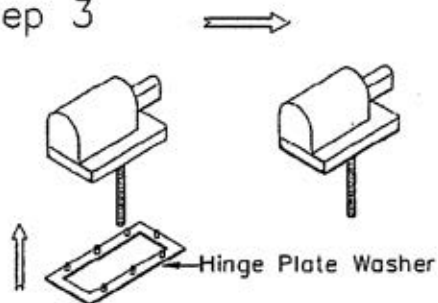
Solt the mounting bolt into the hinge plate.

Step 2



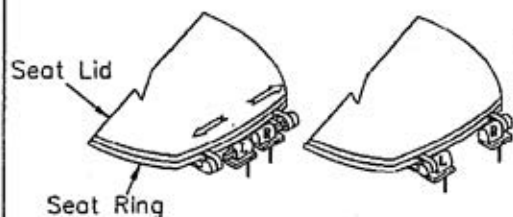
Slide the hinge plate into the underside of hinge mechanism. Insert the cover plate into the small nick.

Step 3



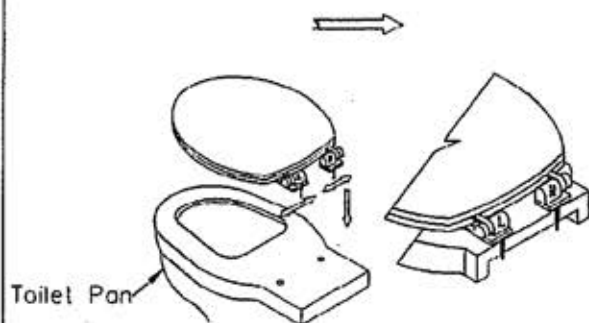
Attach the hinge rubberized plate washer to the bottom of the hinge mechanism.

Step 4



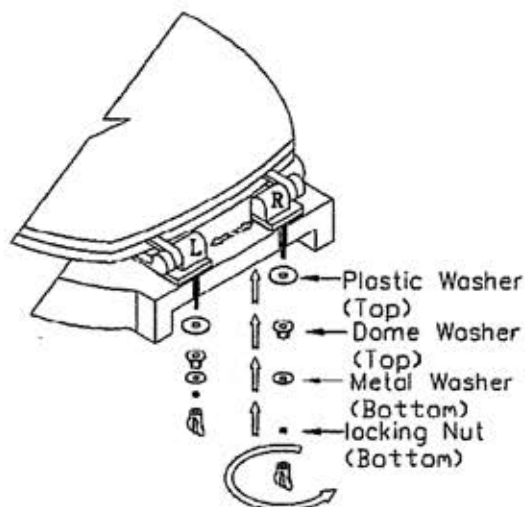
Attach the hinge mechanism to the seat, both the hinge mechanism and the seat are marked with left (L) and right (R) labels. Match the labels, otherwise will result in damage to the hinge mechanism.

Step 5



Adjust the mounting bolt by sliding left or right to match the distance between the 2 holes in the toilet pan.

Step 6



INSTALL all washers, then tighten the locking nut. when tight the locking nut, must keep pushing the hinge mechanism to the hinge arms as shown. Don't tight any locking nut completely at one time, must tight both locking nut shiftly until both are tighten completely.

Care Instruction

This toilet seat has a very durable finish. The seat should be treated with care.

- 1, Clean the surfaces weekly with a soft damp cloth and mild soap solution.
- 2, Do not use bleach, powder cleaners or cream cleaners.
- 3, Do not scour or scrub the surface.
- 4, WARNING—do not stand on the lid or ring of your toilet seat (for example when decorating the bathroom).