

## Engineering Specification

Job Name \_\_\_\_\_

Contractor \_\_\_\_\_

Job Location \_\_\_\_\_

Approval \_\_\_\_\_

Engineer \_\_\_\_\_

Contractor's P.O. No. \_\_\_\_\_

Approval \_\_\_\_\_

Representative \_\_\_\_\_

# Series A2C-SC IntelliFlow®

## Washing Machine Smart Water Shutoff

# Series A2C-SC-WB IntelliFlow®

## Washing Machine Smart Water Shutoff With Wall Box

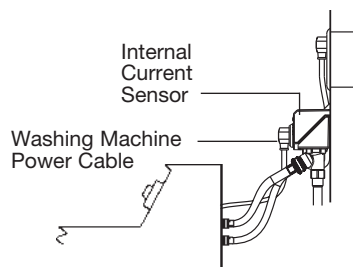
The Series A2C-SC IntelliFlow® Washing Machine Smart Water Shutoff senses your washing machine's current flow and immediately shuts off the water supply if an inlet hose bursts. It uses a floor-mounted leak sensor and connects to your local WiFi network to send you real-time text and email alerts in the event of a leak. The IntelliFlow valve only allows water to flow into the washing machine when electric current indicates the machine is in use, and automatically stops the flow of water when a leak is detected.

### Features

- Real-time text and email notifications
- Easy installation
- Silent reliable operation
- Replaceable internal strainer screen
- The IntelliFlow Models A2C-SC and A2C-SC-WB also include a leak sensor. The water sensor is placed on the floor behind the washing machine. Upon detection of water at the sensor, the IntelliFlow automatically shuts off the water supply to the washing machine. This provides an additional level of security, should a hose burst while the washing machine is in operation.

### How It Works

The Watts IntelliFlow is equipped with a state-of-the-art electric current sensing device. When the washing machine starts a wash cycle, the IntelliFlow senses the electric current flowing to the washing machine and opens the supply of water to washing machine. Upon completion of the full wash cycle, the device senses the low current and closes the water inlet valves. These valves remain closed until the machine is used again. The IntelliFlow also has built-in WiFi connectivity that connects to your home WiFi network in order to send you real-time text and email alerts in the event of a leak.



Model A2C-SC IntelliFlow®

### Specifications

The contractor shall install an electrically actuated washing machine shutoff valve on the hot and cold water supply as indicated on the drawings. The electrically actuated washing machine valve shall be normally closed. The electrically actuated washing machine valve shall contain an integral electrical outlet capable of receiving a standard three-prong 120 VAC washing machine power cable. The valve shall actuate both the hot and cold water valves simultaneously upon detection of current flow at the integral electrical outlet which shall remain actuated until the detection of the interruption of current flow at the integral electrical outlet.

The valve shall be equipped with a 6 ft. type SJT 14 AWG electrical cord. The valve shall be rated for 120 VAC, 60 Hz with a maximum standby current draw of less than one (1) ampere and a maximum appliance current draw of 15 amperes. The valve shall have a maximum pressure rating of 150psi (10.3 bar) and a maximum temperature rating of 180°F (82°C). The valve shall be UL listed for appliance controls. The electrically operated washing machine shutoff valve shall be equipped with a leak sensor. Upon detection of water at the leak sensor, current flow to both the hot and cold water valves shall be immediately interrupted. The valve shall be a Watts IntelliFlow Model A2C-SC surface mount unit or Model A2C-SC-WB wall box unit.

### NOTICE

The information contained herein is not intended to replace the full product installation and safety information available or the experience of a trained product installer. You are required to thoroughly read all installation instructions and product safety information before beginning the installation of this product.

### NOTICE

Inquire with governing authorities for local installation requirements.

## Leak Sensor

Used in conjunction with the A2C-SC or A2C-SC-WB, the leak sensor helps maximize protection against leaks. Should water be detected at the leak sensor at any time, the water flow to the washing machine hoses will be cut off immediately. This protects against catastrophic water damage regardless of the washing machine's operating cycle.



Leak Sensor

## Optional Accessories

**A2-IntelliTimer:** A remote timer which allows the IntelliFlow to be used with 240 VAC powered appliances.

## Construction

The IntelliFlow A2C-SC is equipped with 1/2" sweat inlet adapters for both hot water and cold water supply tubing. It is supplied with two mounting tabs used to secure the valve to the wall for surface mount applications. The valve is enclosed in an engineered polymer enclosure.

## Easy Installation

The IntelliFlow comes equipped with 1/2" sweat adapters to receive tubing. Either connection may be used for the hot or cold water supply because the IntelliFlow is equipped with durable Buna-N diaphragms for longevity.


Water supply connections are 2 3/8" on centers.

No electrical wiring is required. Simply plug the washing machine power cord into the IntelliFlow and plug it to the standard 15A, GFI†, 120 volt outlet.

## Typical Installations

The Watts IntelliFlow can be installed in new construction or as an upgrade to existing installations. Reference IS-A2C-SC-IntelliFlow on web.

## Approvals

 Models A2C-SC, A2C-SC-WB  
ATNZ.E164904, ATNZ7.E164904 Listed

## Operating Specifications

**Electrical Rating:** 120VAC, 60 Hz

**Circuit Breaker Requirements:** 20A GFI†

**Max. Appliance Current Rating:** 15A

**Current Draw:** 20mA (with appliance off)

**Electrical Cord:** 6 ft. type SJT 14 AWG

**Max. Temperature:** 180°F (82°C)

**Max. Pressure:** 150psi (10.3 bar)

**Max. Operating Pressure Differential:** 80 psi (5.5 bar)

**Valve Body:** Reinforced Polysulfone

**Rubber Goods:** Buna-N, EPDM

### CAUTION

Use of the Watts IntelliFlow® Washing Machine Smart Water Shutoff outlet for appliances other than a washing machine is not recommended and voids the warranty.

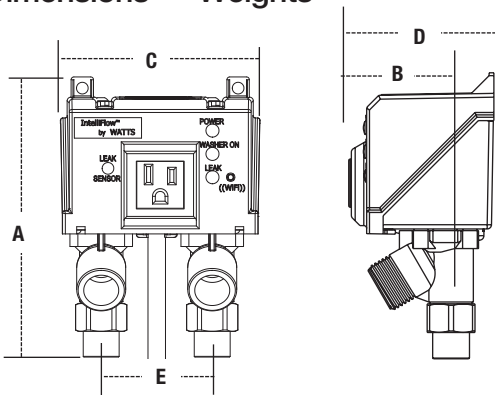
### NOTICE

This valve cannot be used for 240 VAC, 3 phase appliances. The IntelliFlow with the IntelliTimer accessory supports this application.

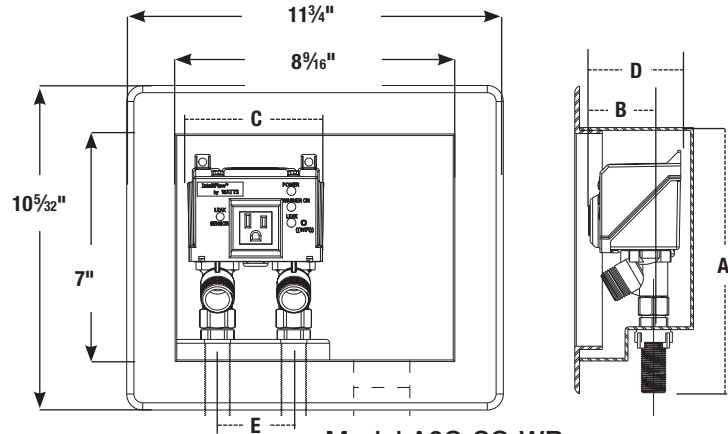
### WARNING

† A Ground Fault Interrupter circuit is not required for proper operation of the IntelliFlow®, but is strongly recommended as a safety device. In accordance with National Electric Code, NFPA 70, Section 210.11 Branch Circuits Required, at least one 20-ampere branch circuit shall be provided to supply the laundry receptacle outlet(s) required by Section 210.52(F). This circuit shall have no other outlets.

## Dimensions — Weights



Model A2C-SC



Model A2C-SC-WB

MODEL	SIZE	DIMENSIONS								WEIGHT			
		A		B		C		D		E			
	in.	in.	mm	in.	mm	in.	mm	in.	mm	in.	mm	lbs.	kg
A2C-SC	1/2	6	152	2 1/8	54	4 1/4	108	3 1/32	77	2 3/8	60	2.0	.9
A2C-SC-WB	1/2	8 1/2	216	2 1/8	54	4 1/4	108	3 1/32	77	2 3/8	60	3.5	1.6

