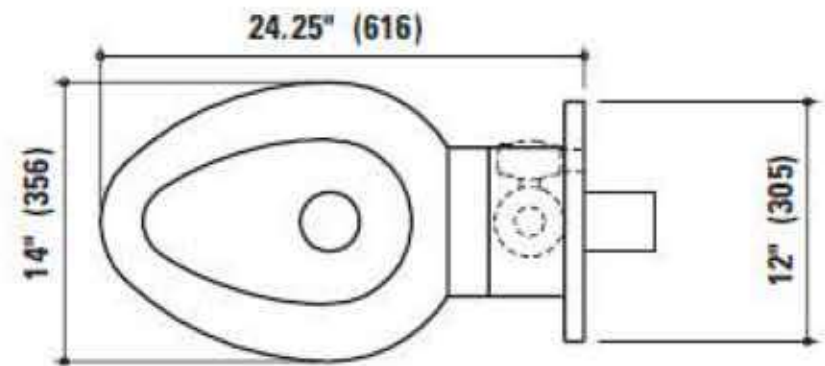


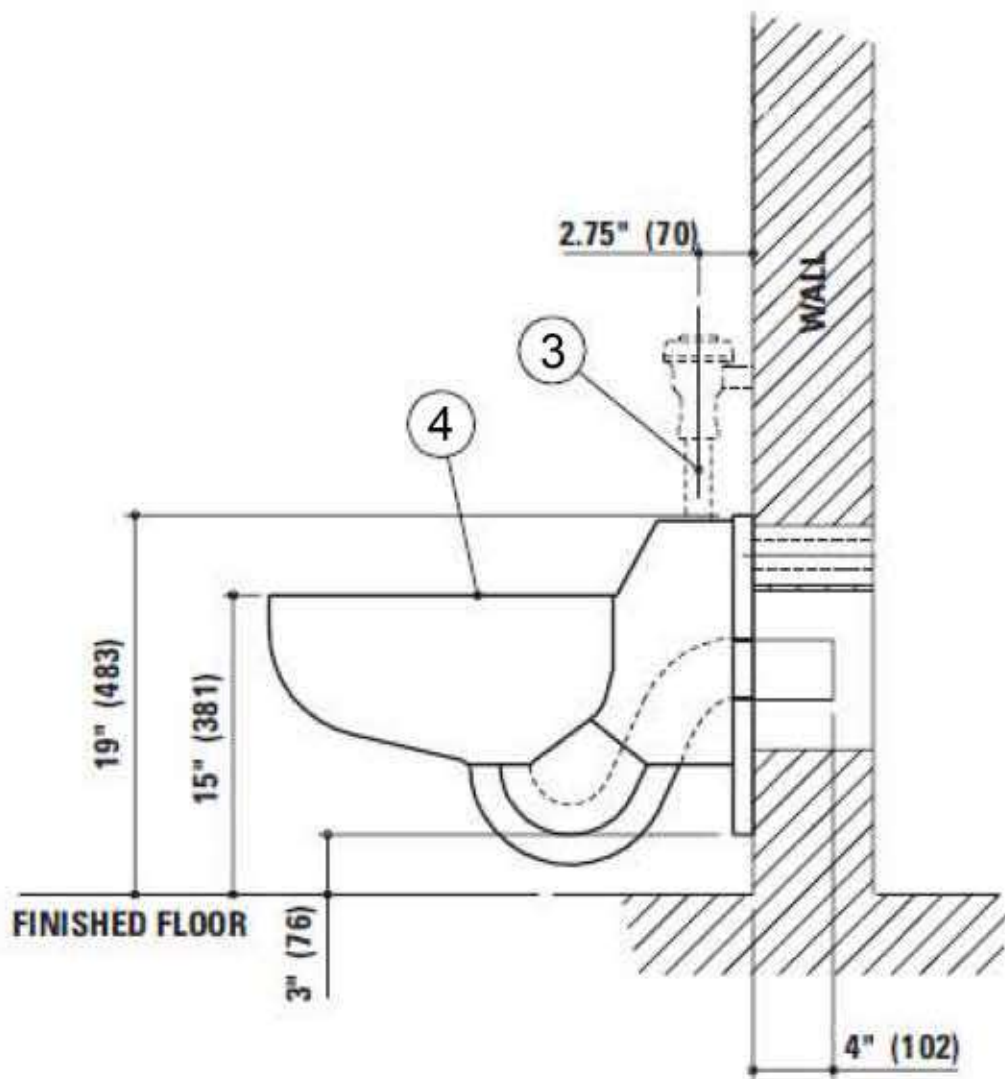
# # HET- 4115-HS Top Supply 1.28 gpf TOILET FIXTURE

PlumbingSupply.com  
 Order Verification Form  
 Signature Required Below

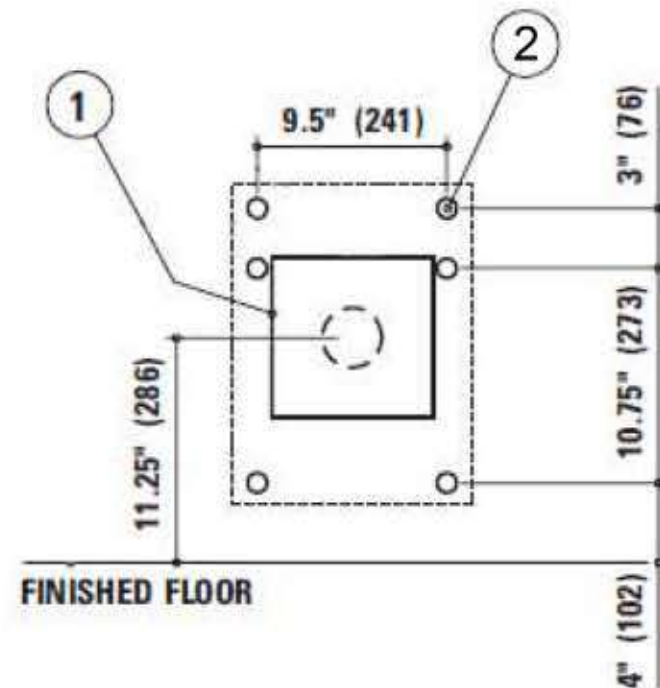
FIXTURE PLAN VIEW



FIXTURE SIDE VIEW



WALL ELEVATION VIEW (fixture side)



**ROUGH-IN INFORMATION**

- ① 8" x 8" (203mm x 203mm) wall opening for toilet waste connection
- ② 1" (25mm) dia. wall openings for anchors (6)
- ③ 1 1/2" (38mm) MIPT top supply inlet (model #4115)
- ④ Mirror finish seat  
 WITH HS-OPTION includes hinged solid plastic seat

Dear Customer,

Verification must be received before order can be entered for shipment.

Please sign to verify the # HET- 4115 -HS 1.28 gpf - Top Supply Toilet meets your requirements.

X

Customer Signature

Please print name and return to:

PlumbingSupply Group LLC - FAX: 530-891-0564

EMAIL: sales@plumbingsupply.com