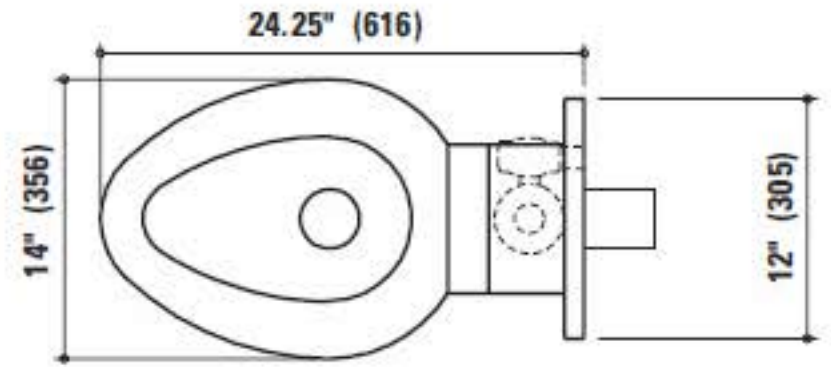


# # 4115-HS Top Supply

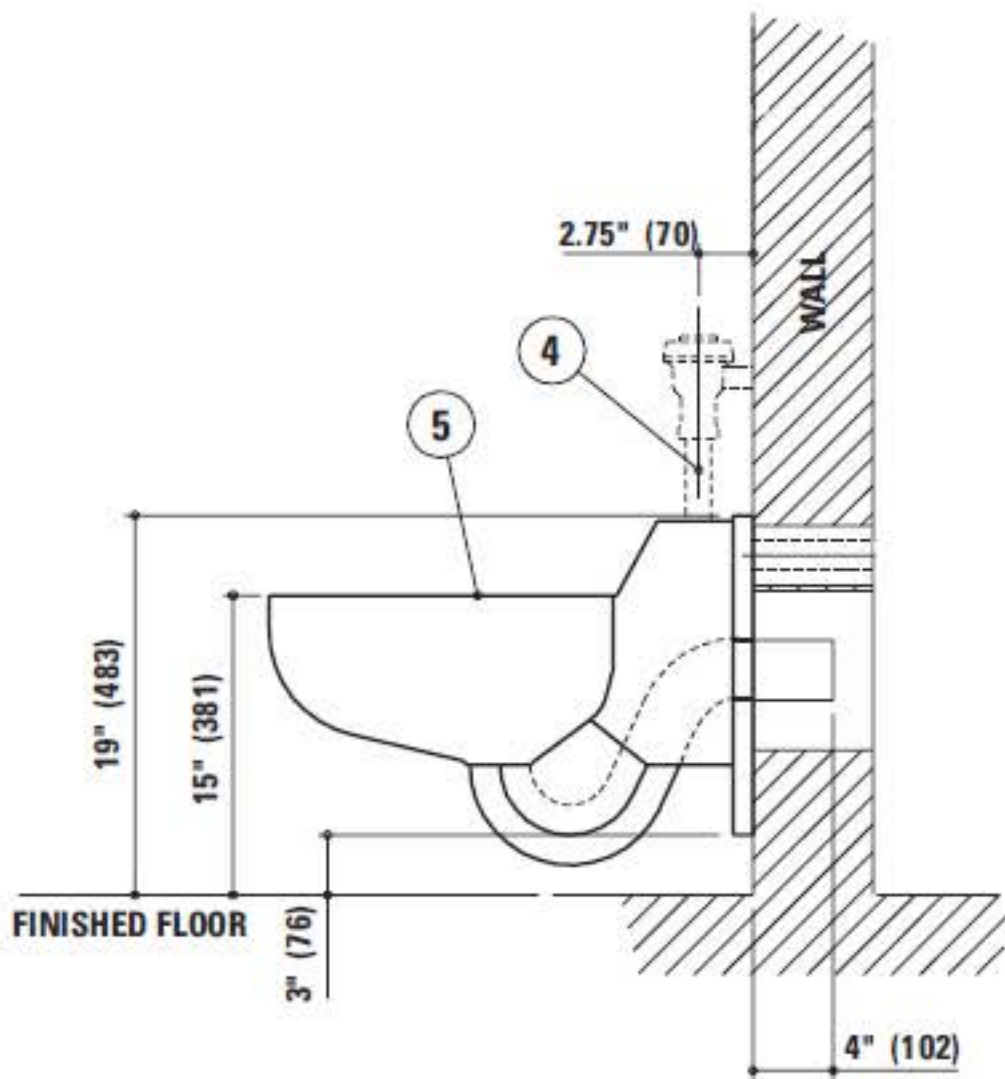
# TOILET FIXTURE

PlumbingSupply.com  
Order Verification Form  
Signature Required Below

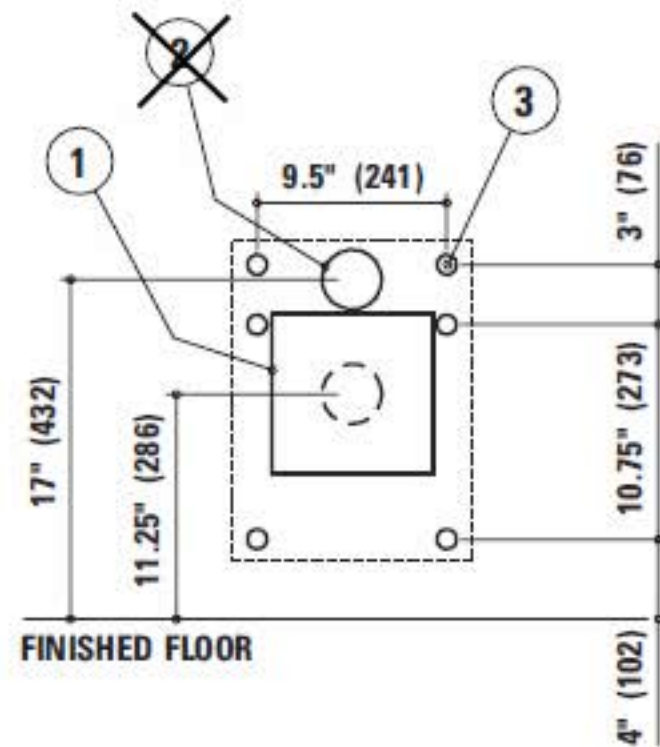
FIXTURE PLAN VIEW



FIXTURE SIDE VIEW



WALL ELEVATION VIEW (fixture side)



## ROUGH-IN INFORMATION

- ① 8" x 8" (203mm x 203mm) wall opening for toilet waste connection
  - ② ~~3" (76mm) wall opening for 1 1/2" (38mm) FIPT flush supply inlet (model #4110)~~
  - ③ 1" (25mm) dia. wall openings for anchors (6)
  - ④ 1 1/2" (38mm) MIPT top supply inlet (model #4115)
  - ⑤ Mirror finish seat
- WITH HS-OPTION includes hinged solid plastic seat

Dear Customer,

Verification must be received before order can be entered for shipment.

Please sign to verify the #4115 -HS Top Supply Toilet meets your requirements.

X

Customer Signature

Please print name and return to:

PlumbingSupply Group LLC - FAX: 530-891-0564  
EMAIL: sales@plumbingsupply.com