



L1518/9



L1628/9

DISCONTINUED MODELS

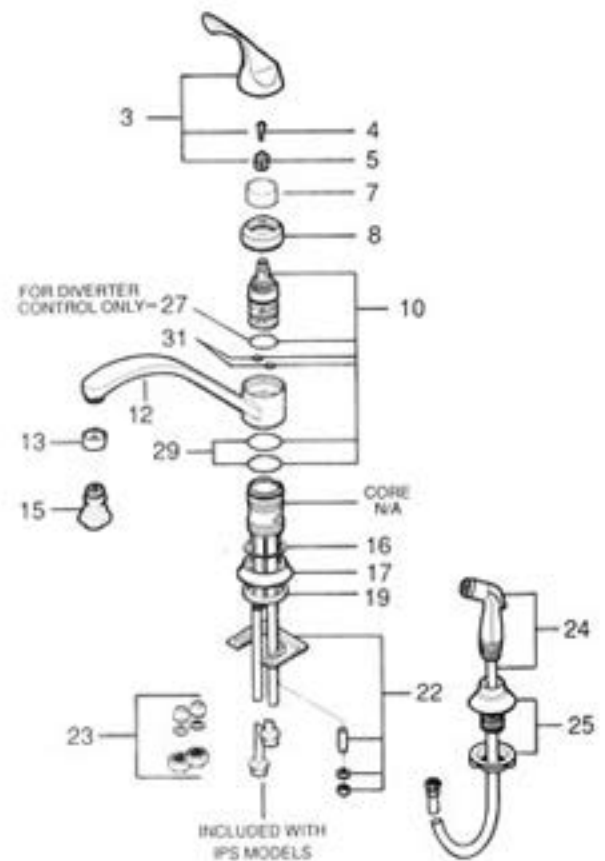
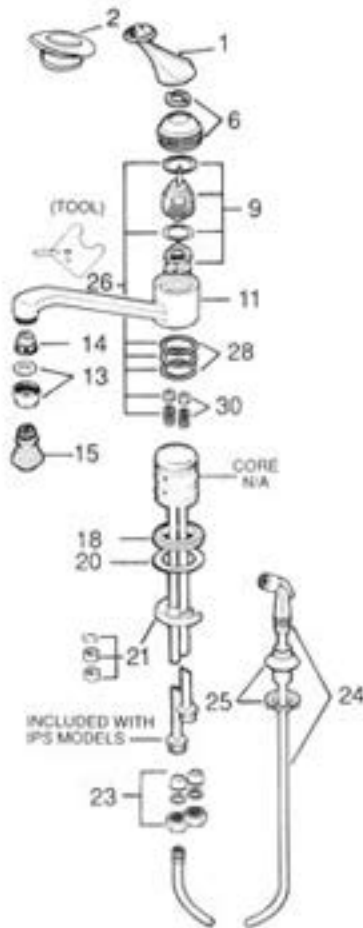


NL1518/9



NL1628/9

CURRENT MODELS



PART#	DESCRIPTION
1*	V1165CD Lever handle
2*	V6679CD Acrylic handle
3	VP1989BG1 Lever handle assembly
4	VP1780 Screw - Handle adaptor
5	VP1963 Handle adaptor
6*	V6633CD Bonnet assembly
7	VP1713 Bonnet lock ring
8	VP1712 Bonnet nut
9*	V6680CD Control assembly
10	VP1964CD Control assembly - non-diverter VP1965CD Control assembly - diverter
11*	V6652 Non-diverter 5" spout assy. (includes key# 11 & 13) V6653 Diverter 5" spout assy. (includes key# 11, 13 & 14)

PART#	DESCRIPTION
11*	V6656 Non-diverter 8" spout assy. (includes key# 11 & 13) V8657 Diverter 8" spout assy. (includes key# 11, 13 & 14)
	V6658 Non-diverter 9-1/2" spout assy. (includes key# 11 & 13) V6659 Diverter 9-1/2" spout assy. (includes key# 11, 13 & 14)
12	VP1995GB Spout assembly - 5" VP1996GB Spout assembly - 8" VP1923GB Spout assembly - 9-1/2"
13	V7068CD Aerator
14*	V7713CD Diverter
15	V7001CD Swivel spray
16	VP1910 Bearing hub
17	V2023 Core seat
18*	V5502 Core seat

PART#	DESCRIPTION
19	V3833 Gasket
20*	V5504 Gasket
21*	V6230 Mounting hardware parts bag
22	V6237 Mounting hardware parts bag
23	V6643 IPS parts bag (2 sets)
24	V7714 Spray and hose assy.
25	V7715 Hose guide assembly
26*	V1001CD Control repair kit (includes tool)
27	VP1956 "O" ring (for diverter control only)
28*	V1112CD "O" Ring repair kit
29	VP1987 Spout "O" Rings
30*	V7059CD Seal & spring repair kit
31	VP1952 Port seal ring

\* PARTS ARE FOR DISCONTINUED MODELS ONLY AND ARE SUBJECT TO AVAILABILITY  
PLEASE ORDER BY PART NUMBER.