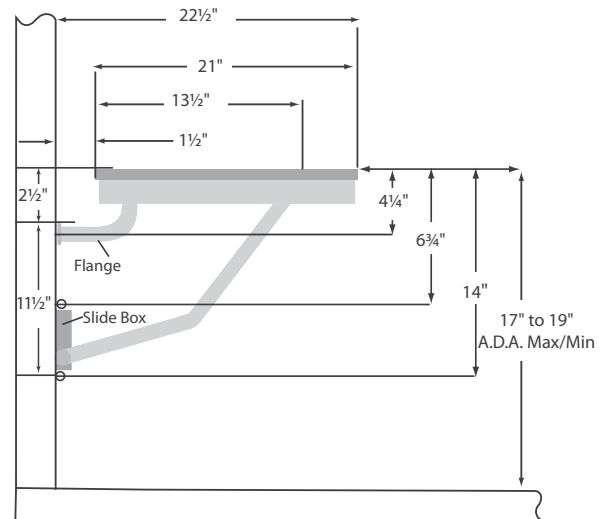




Left Hand Bench Pictured



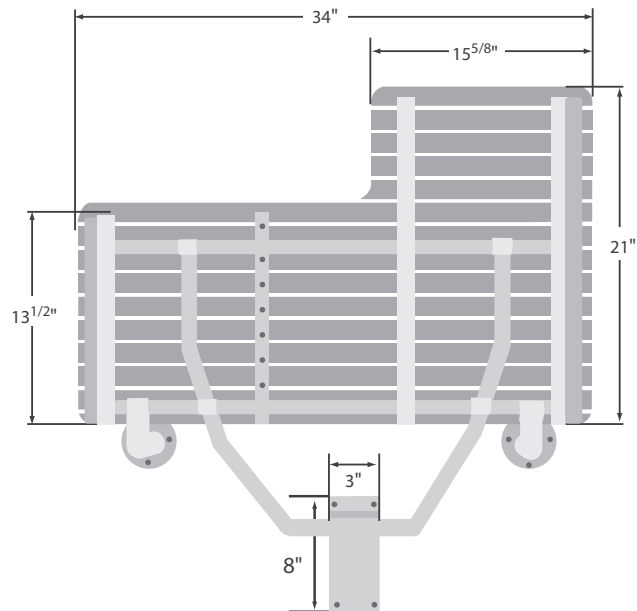
- Heavy duty type 304 18-gauge stainless steel wall brackets, supports and frame
- Stainless steel hardware included
- Seat remains in raised position until you pull it down
- Stainless steel slide box makes it easy to raise and lower the seat
- Rounded edges on seat battens for comfort and safety
- Seat battens are spaced slightly apart to allow water to drain through

Dimensions:

- 34" L x 22 1/2" D (863.6 x 571.5mm)
- Height Range: 17" to 19" (431.8 to 482.6mm)

***Installation & Load Bearing:**

All shower seats must only be installed using suitable fasteners and sufficient in-wall backing materials. ADA mounting height for lowered seat is 17" (432mm) to 19" (482mm). When properly installed, all Teakworks4u shower seats have been designed and manufactured to support loads exceeding the downward pull requirements for Federal specifications FHA, VA, HUD, hospital codes, and private construction. The actual "in use" load bearing capacity of any shower seat, however, will be limited by the strength of its mounting surface and installation hardware. Teakworks4u recommends that shower seats be installed using 2" minimum thickness "in wall" solid wood blocking material with #10 x 2" stainless steel, phillips-head, sheet metal screws, or using a wall embedded, minimum 12 ga. (2.8mm) steel anchor plate with #10 x 24 stainless steel machine screws. Please contact Teakworks4u for additional mounting recommendations. Under no circumstances should any shower seat be mounted to drywall, sheetrock, plaster, fiberglass, acrylic or other similar "hollow" wall surfaces without appropriate wood or steel backing material. For more information on installation and ADA compliant benches visit www.access-board.gov



User Weight Capacity*