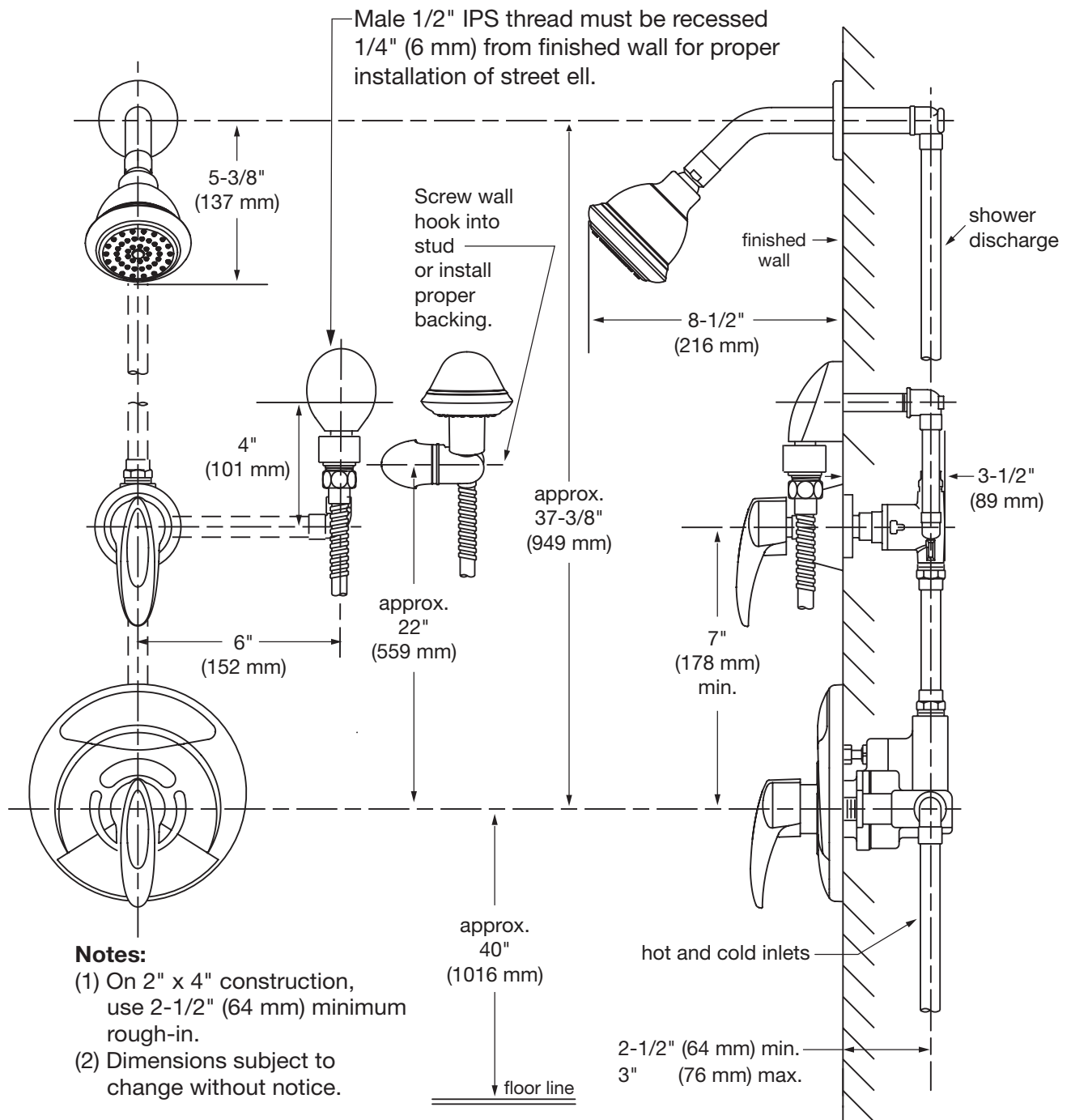


Dimensions *Visu-Temp Shower System with Hand Shower, 1-1170VT-H401-V*



Notes:

- (1) On 2" x 4" construction, use 2-1/2" (64 mm) minimum rough-in.
- (2) Dimensions subject to change without notice.