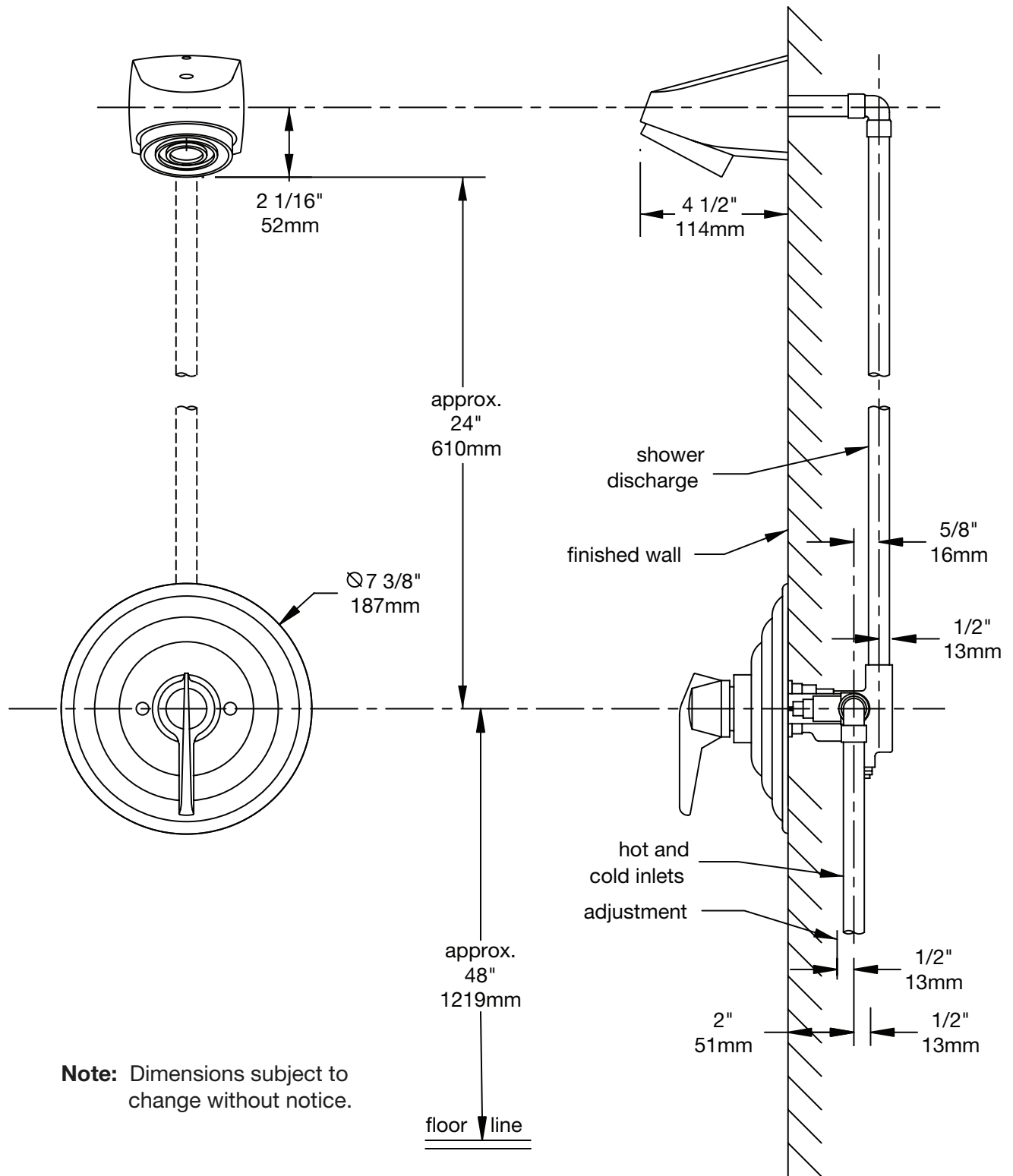


Dimensions Temptrol Commercial Shower System, C-96-1-151



Symmons Industries, Inc. ■ 31 Brooks Drive ■ Braintree, MA 02184
 (800) 796-6667, (781) 848-2250 ■ Fax (800) 961-9621, (781) 664-1300
 Website: www.symmons.com ■ Email: customerservice@symmons.com

©2008, 2009, 2010 Symmons Industries, Inc. Printed in U.S.A. ■ 082310

SYMMONS[®]
 the smart choice™