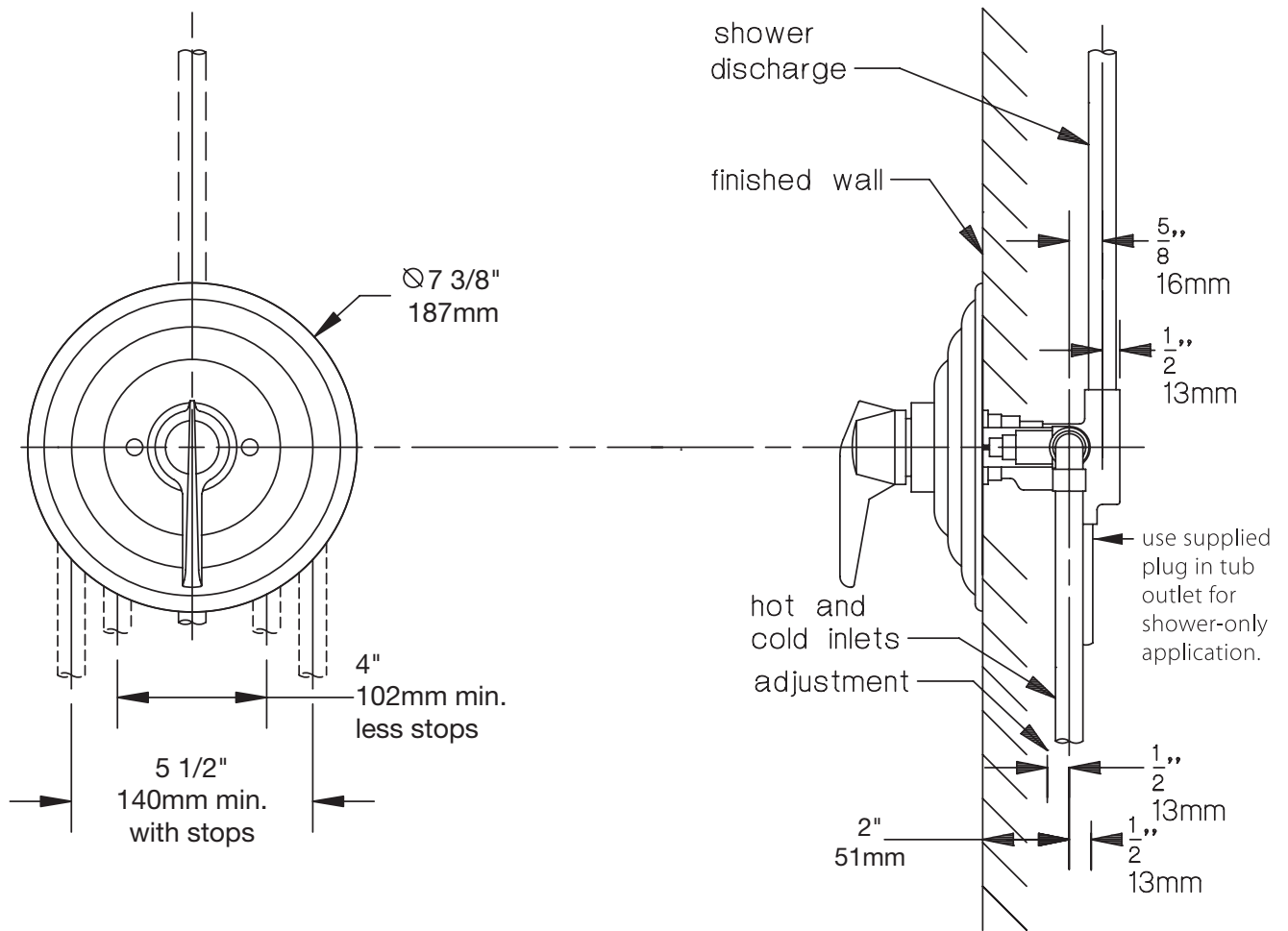


## Dimensions *Commercial Temptrol Tub-Shower System, C-86-2*



Symmons Industries, Inc. ■ 31 Brooks Drive ■ Braintree, MA 02184  
 (800) 796-6667, (781) 848-2250 ■ Fax (800) 961-9621, (781) 664-1300  
 Website: [www.symmons.com](http://www.symmons.com) ■ Email: [customerservice@symmons.com](mailto:customerservice@symmons.com)

©2012 Symmons Industries, Inc. Printed in U.S.A. ■ 091712

**SYMMONS**<sup>®</sup>  
 the smart choice™