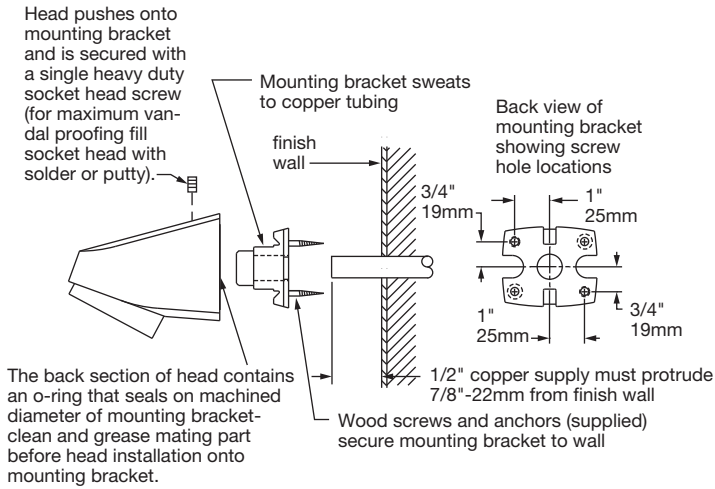


4-151

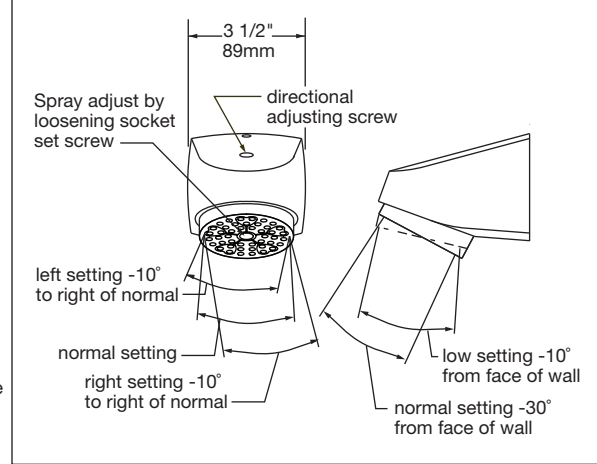
Suffix A: Anchor plate to simplify mounting on ceramic tile

Suffix B: Back plate and thru bolts for extra thick wall

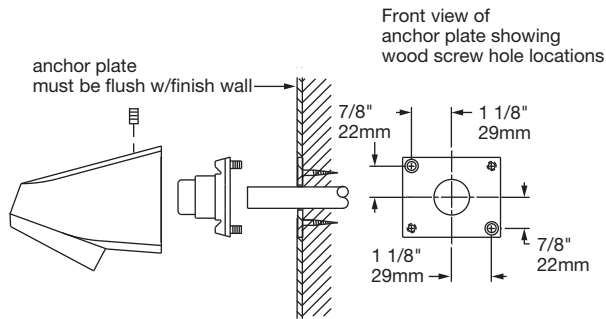
Standard Installation



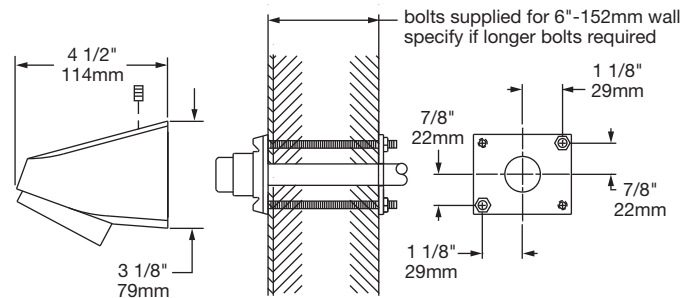
Directional Adjustment



Installation with Anchor Plate — Suffix "A"



Installation with Back Plate — Suffix "B"



Anchor plate used for ceramic tile application—plate screws to wall and tile is applied up to sides of plate. Mounting bracket is mounted on finished wall with machine screws into anchor plate.

Replacement Parts

Item	Description	Part Number
1	Adjustment Screw & O-ring	RO-009
2	Set Screw	
3	Face Plate	
4	Face Plate Body	RO-010
5	Gasket	

