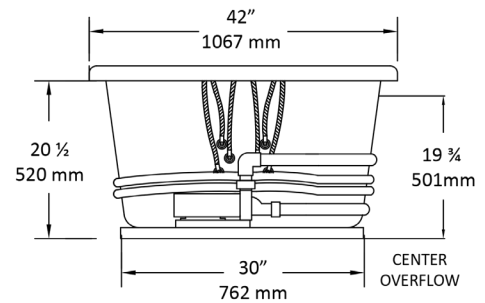
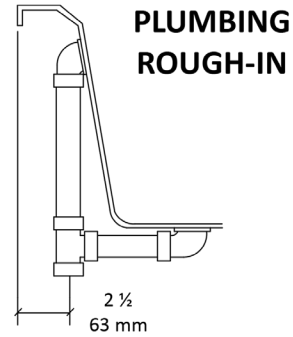
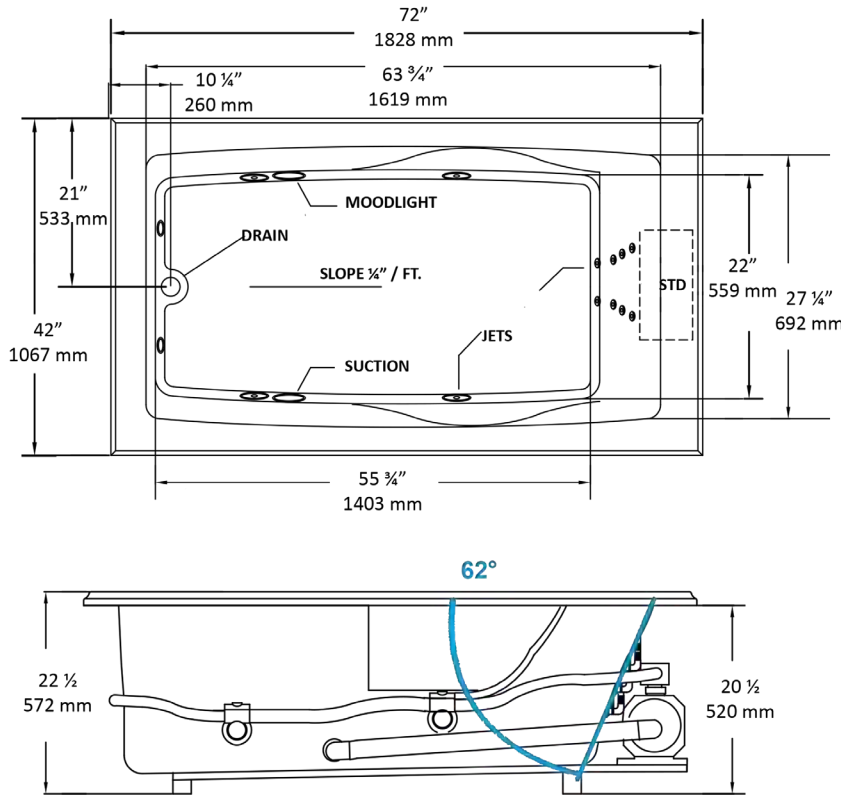


5075/5575

**MANSFIELD™**

**Brentwood™ 72" x 42" x 22 1/2"**  
**Swirl-way® Whirlpool and Bathtub**



- NOTES:
1. Pump location is shown for clarity.
  2. Required pump motor access is 20" W x 15" H.
  3. Measurements may vary 1/4" (+/-)
  4. If a factory installed nailing flange is added to a unit, add 1/8" to each side flanged.
  5. Removable apron is not available for this unit.
  6. These dimensions are nominal and subject to change without notice.

**SPECIFICATIONS**

Specification	Description	Specification	Description
<b>Material</b>	Acrylic, fiberglass reinforced	<b>Warranty</b>	Limited Ten Year
<b>Construction</b>	Self-contained, pre-plumbed whirlpool bath system mounted on a pre-leveled base	<b>Water Capacity</b>	88 gal. (min) 99 gal. (max)
<b>Number of Jets</b>	14	<b>Shipping Weight</b>	Whirlpool - 175 lbs
<b>Floor Loading Weight</b>	47 lbs. / sq.ft.		Bathtub - 165 lbs
<b>ESSENTIALS PACKAGE</b>		<b>COMFORT PACKAGE</b>	
<b>Pump Motor</b>	Single speed induction pump, 13 AMP	<b>Pump Motor</b>	Variable speed induction pump, 13 AMP
<b>On/Off Control</b>	One button on/off electronic keypad	<b>On/Off Control</b>	Multi-function electronic keypad
<b>Electrical Requirements</b>	One 120V, 20 amp GFCI dedicated circuit. Optional heater: separate 120 V, 20 amp dedicated circuit.	<b>Electrical Requirements</b>	Two separate 120 V, 20 amp dedicated circuits

