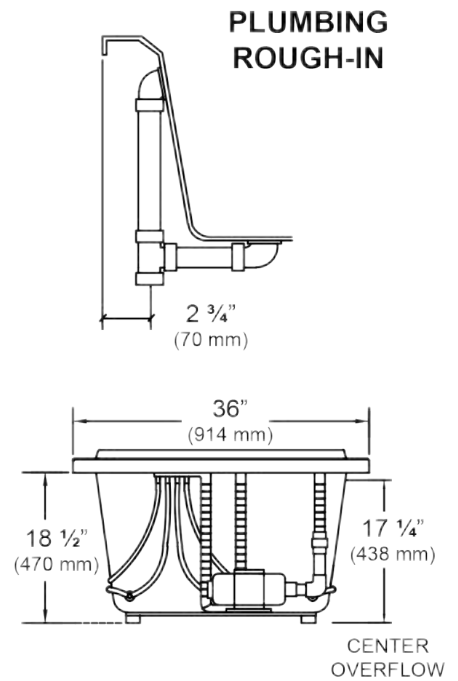
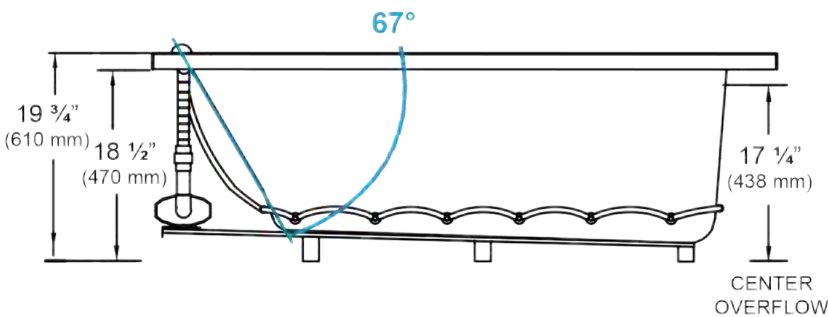
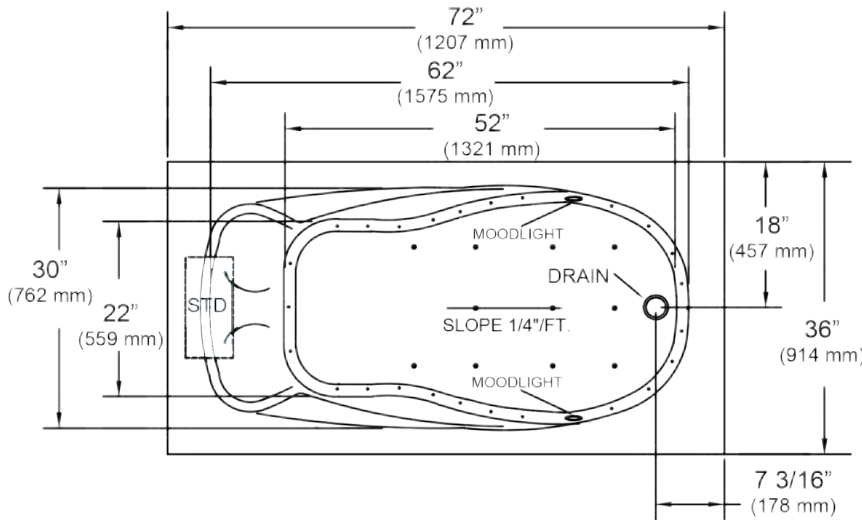


5304

Baywood 6.0 - 72" x 36" x 19 3/4"  
Swirl-way® Air Massage Bath



NOTES:

1. Blower location is shown for clarity.
2. Required blower motor access is 20" W x 15" H.
3. Measurements may vary 1/4" (+/-)
4. If a factory installed nailing flange is added to a unit, add 1/8" to each side flanged.
5. Removable apron is optional for this unit.
6. These dimensions are nominal and subject to change without notice.

SPECIFICATIONS

| Specification           | Description   | Specification        | Description                                  |
|-------------------------|---|----------------------|--|
| Material                | Acrylic, fiberglass reinforced  | Number of Jets       | 34   |
| Construction            | Self-contained, pre-plumbed air bath system mounted on a pre-leveled base | Water Capacity       | 48 gal. (min)<br>64 gal. (max)               |
| Blower Motor            | 1.0 HP Variable Speed - 120 V, 9.0 AMP                                    | Floor Loading Weight | 47 lbs. / sq. ft<br>(229 kg/m <sup>2</sup> ) |
| Electrical Requirements | One 120V, 20 AMP, GFCI Protected Circuit                                  | Shipping Weight      | 175 lbs.                                     |
| On/Off Control          | Six button electronic control 20 minute time cycle, and auto purge cycle  | Warranty             | Limited Ten Year                             |

