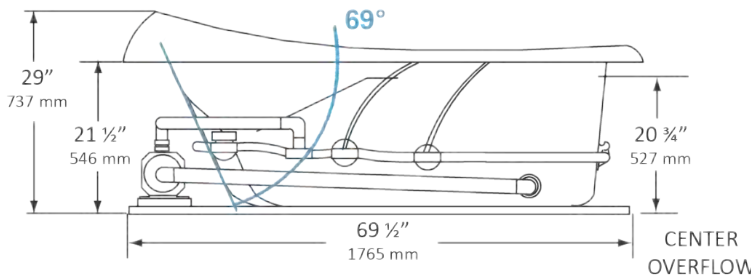
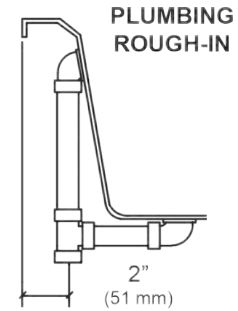
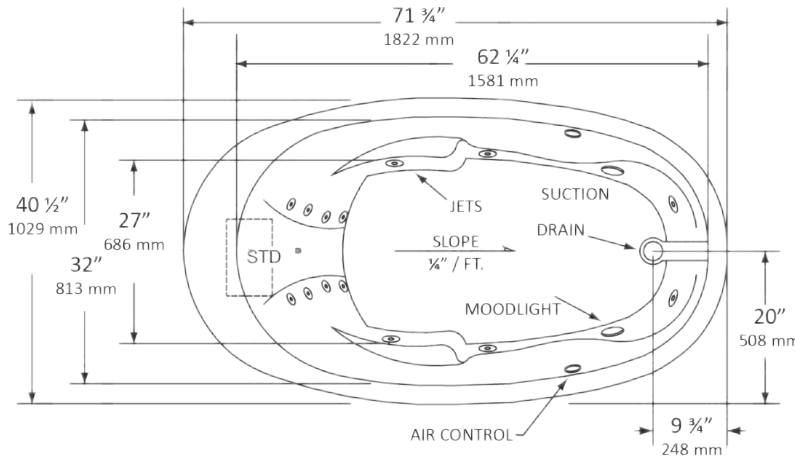


5081/5581

**MANSFIELD™**

Avalon™ 71 3/4" x 40 1/2" x 29"

Swirl-way® Whirlpool and Bathtub



**NOTES:**

1. Pump location shown for clarity.
2. Required pump motor access is 20" W x 15" H.
3. Measurements may vary 1/4" (+/-).
4. Optional removable apron is not available on this unit.
5. Installer note: due to the freeform shape of the tub shell, it is recommended that the tub be on the job before making the final cut-out for drop-in installation.

**SPECIFICATIONS**

Specification	Description	Specification	Description
<b>Material</b>	Acrylic, fiberglass reinforced	<b>Warranty</b>	Limited Ten Year
<b>Construction</b>	Self-contained, pre-plumbed whirlpool bath system mounted on a pre-leveled base	<b>Water Capacity</b>	75 gal. (min) 90 gal. (max)
<b>Number of Jets</b>	14	<b>Shipping Weight</b>	Whirlpool - 152 lbs
<b>Floor Loading Weight</b>	47 lbs. / sq.ft.		Bathtub - 110 lbs
<b>ESSENTIALS PACKAGE</b>		<b>COMFORT PACKAGE</b>	
<b>Pump Motor</b>	Single speed induction pump, 13 AMP	<b>Pump Motor</b>	Variable speed induction pump, 13 AMP
<b>On/Off Control</b>	One button on/off electronic keypad	<b>On/Off Control</b>	Multi-function electronic keypad
<b>Electrical Requirements</b>	One 120V, 20 amp GFCI dedicated circuit. Optional heater: separate 120 V, 20 amp dedicated circuit.	<b>Electrical Requirements</b>	Two separate 120 V, 20 amp dedicated circuits



**MADE IN USA**