



Swanstone Chesapeake Single Bowl Vanity Tops

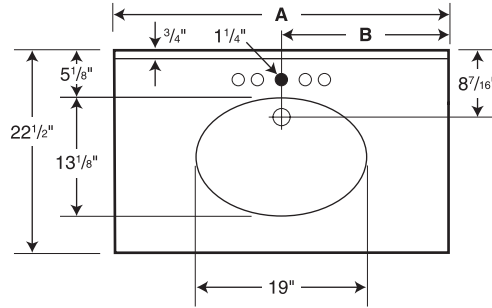
WARRANTY
 Limited Lifetime – Residential
 Limited 25-year – Commercial

Manufactured from Swanstone solid surface
 (See page 2 for detailed information.)

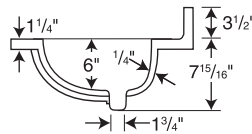
Recommended for high-use traffic areas and commercial surfaces.

FEATURES

- Reinforced solid surface means color and texture run all the way through and cannot wear away.
- Coordinates with other Swanstone products.
- Easily accommodates all faucet styles.
- Chemical resistant—acetone will not harm.
- Heat resistant—hot curling irons will not damage it.
- Make-up and hair-dye can be buffed with household cleansers.
- Heat, stain and scratch resistant for lasting beauty.
- Larger bowl, thicker edge and taller back splash is an updated version of our Ellipse vanity top.



○ Drill Points ● Pre-drilled



Capacity: 2 gallons to overflow

Model	A	B
CH1B2225	25"	12-1/2"
CH1B2231	31"	15-1/2"
CH1B2237	37"	18-1/2"
CH1B2243	43"	21-1/2"
CH1B2249	49"	24-1/2"
CH1B2255	55"	27-1/2"
CH1B2261	61"	30-1/2"

SPECIFICATIONS

Swanstone Chesapeake Single Bowl Vanity Tops

Model	Part	Nominal Dimensions	Ship Wt. Lb.	Ship FedEx	Carton Dims. In.	Cu. Ft.
CH1B2225	CH02225	22-1/2" D x 25" W	22	FedEx	28 x 26 x 14	5.90
CH1B2231	CH02231	22-1/2" D x 31" W	27	FedEx	35 x 26 x 14	7.37
CH1B2237	CH02237	22-1/2" D x 37" W	28	FedEx	41 x 26 x 14	8.64
CH1B2243	CH02243	22-1/2" D x 43" W	40	FedEx	47 x 26 x 14	9.90
CH1B2249	CH02249	22-1/2" D x 49" W	46	-	53 x 26 x 14	11.16
CH1B2255	CH02255	22-1/2" D x 55" W	52	-	58 x 25 x 13	10.91
CH1B2261	CH02261	22-1/2" D x 61" W	59	-	64 x 27 x 14	14.00

Includes: One compression-molded vanity top with overflow, integral bowl and backsplash.

Packaging: Each unit is packed in a rectangular carton.

ACCESSORIES

- Optional CHVTSS Side Splash available (See page 83)
- Optional Front and Side Apron available (See page 83)

STANDARDS AND RATINGS

American National Standard Institute—ANSI Z124.3

International Association of Plumbing and Mechanical Officials (IAPMO)—Listed

cUPC listed—Certified to CSA Test Standard B45.5 by IAPMO

Uniform Plumbing Code (UPC)

For a complete list of tests and results see the Technical Data Sheet.

SUPPORT DOCUMENTS

Installation instructions available at swanstone.com.

MADE IN USA

COLORS

Solid Colors:

- White (010)
- Bisque (018)
- Bone (037)

Aggregate Colors:

- Acorn (123)
- Arctic Granite (035)
- Baby's Breath (168)
- Barley (091)
- Bermuda Sand (040)
- Canyon (124)
- Caraway Seed (169)
- Cloud Bone (126)
- Cloud White (125)
- Glacier (121)
- Golden Steppe (128)
- Gray Granite (042)

- Ice (130)
- Mountain Haze (129)
- Night Sky (012)
- Pebble (072)
- Prairie (122)
- Tahiti Desert (050)
- Tahiti Gray (053)
- Tahiti Ivory (059)
- Tahiti Matrix (058)
- Tahiti Sand (051)
- Tahiti White (011)
- Tundra (131)

Our Planet Colors

MAINTENANCE AND CLEANING INFORMATION

Cleaning regularly with common household liquid cleaners is recommended. If necessary abrasive liquids or detergents are safe and effective for use with nylon scouring pads, sponges, Mr. Clean® Magic Eraser® or other similar products. Mineral-stain removers are acceptable as well. **Do not** use metal scouring pads.