

WARRANTY

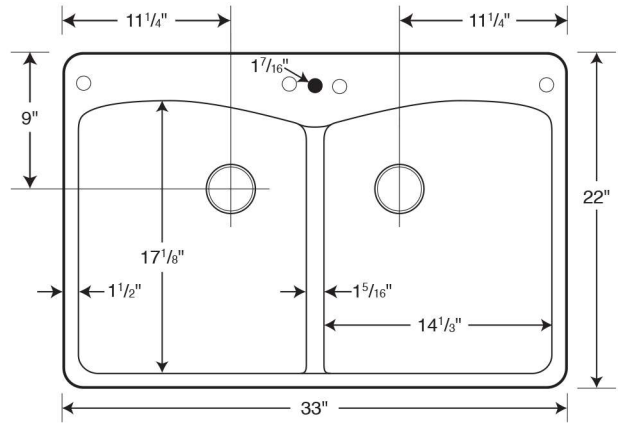
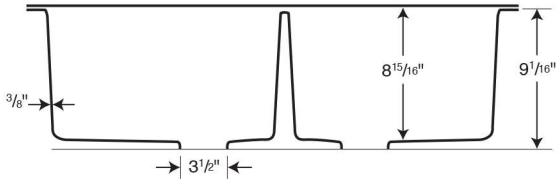
Limited Lifetime – Residential
Limited 10-year – Commercial

Manufactured from Quartz
(See page 2 for detailed information.)

Recommended for high-use traffic areas and commercial surfaces.

FEATURES

- Made with 80% quartz stone, only a diamond is harder.
- Virtually indestructible, will not damage from kitchen use.
- Standard sink size.
- Ideal for remodeling or new construction.



○ Drill Points ● Pre-drilled

Capacity: 9-1/2 gallons per each bowl

SPECIFICATIONS

QZED-3322 Granite Even Double Kitchen Sink

Model	Part	Nominal Dimensions	Ship Wt. Lb.	Ship FedEx	Carton Dims. In.	Cu. Ft.
QZED-3322	QZ03322ED	33" W x 22" D (838 mm x 559 mm)	50	FedEx	37 x 25 x 13	6.96

COLORS

- Bianca (075)
- Espresso (170)
- Granito (076)
- Metallico (173)
- Nero (077)

MAINTENANCE AND CLEANING INFORMATION

Clean your Swan Granite Sink by using warm water and a soft clean cloth, sponge or Mr. Clean® Magic Eraser®. Non-abrasive liquid cleaners and detergents can also be used. Hard water, calcium and lime deposits can be removed with white vinegar on a paper towel and rinsing after 20 minutes. To restore luster and extend time between cleanings Weiman® Granite Cleaner & Polish is recommended. Staining liquids, such as dyes and vegetable juices should be rinsed off as soon as possible. **Do not** use abrasive cleaners, metal-scouring pads, and bleach or alkali cleaners, such as ammonia.

STANDARDS AND RATINGS

American National Standard Institute—ANSI Z124.6
International Association of Plumbing and Mechanical Officials (IAPMO) – listed
cUPC listed – Certified to CSA Standard B45 by IAPMO
Heat resistance to 392°F, 200°C

SUPPORT DOCUMENTS

Installation instructions available at swanstone.com.

Undermount clips sold separately. Faucet options are limited to available hole placement. Please contact your dealer for more information.