

STEAMIST®

Tilt-up Bath Seat

Model: SBS-101

Product Information – SBS-101

Material: Teak Wood with Brass Tubular Support Arms

Dimensions: 19¼" W x 13" D

Weight Capacity: 250 lbs.

Package Includes: (1) Seat Assembly, (6) Flat-Head Screws, (6) Plastic Anchors, (2) Wall Brackets, (2) Bracket Covers, (2) Mounting Pins, (4) Pin Caps.

Product No. - Finishes:

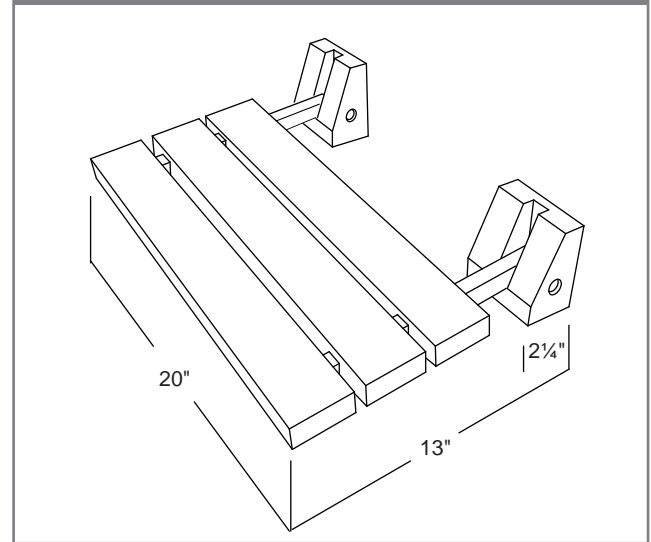
9101 - Polished Chrome

9104 - Brushed Nickel

9105 - Oil Rubbed Bronze

9106 - Polished Nickel

SBS-101



Notes

Installation Notes

Mounts on a) 16" center studs, b) 16" on header or masonry, c) brick or block wall.

Mounting brackets must be anchored to a solid structure.

Rough-in Notes

Wall brackets to be mounted 17"- 21" from finished floor to center of upper mounting screw holes.

STEAMIST®

Tilt-Up Bath Seat Installation Instructions

Model: SBS-101

Caution: Maximum weight capacity 250 lbs.

Components:

(1) seat assembly, (6) flat head stainless steel screws, (6) plastic anchors, (2) wall brackets, (2) bracket covers, (2) mounting pins, (4) pin caps.

Notice: The mounting brackets must be anchored to a solid structure assuring a safe and secure installation. As a minimum standard, follow recommended installation.

Installation: Drill 4 or 6 holes, whichever is required for installation using template provided. Secure wall brackets to the wall as shown. Place covers over brackets and secure seat assembly in place with the mounting pins. After assembly is completed snap in pin caps.

Stud Wall: 16" on center (use template provided) use (4) flat head screws provided for this installation. Screws should penetrate into the studs a minimum of 1 1/2". A 1/4" diameter masonry tool bit should be used to drill thru the tile and Cement board for screw clearance hole (see Figure 1).

Header: 16" on center (use template provided). Header to be 2" x 6" or equivalent and must be adequate anchor base, secure into studs.

Use (6) flat head screws provided for this installation. Screws should penetrate into the header a minimum of 1 1/2". A 1/4" diameter masonry tool bit should be used to drill thru tile and Cement board for screw clearance hole (see Figure 2).

Mounting (Masonry, Brick or Block Wall): 16" on center (use template provided). Install (6) plastic anchor provided for this installation. A 5/16" diameter tool bit should be used for this application (see Figure 3).

Figure 1 - Stud Wall

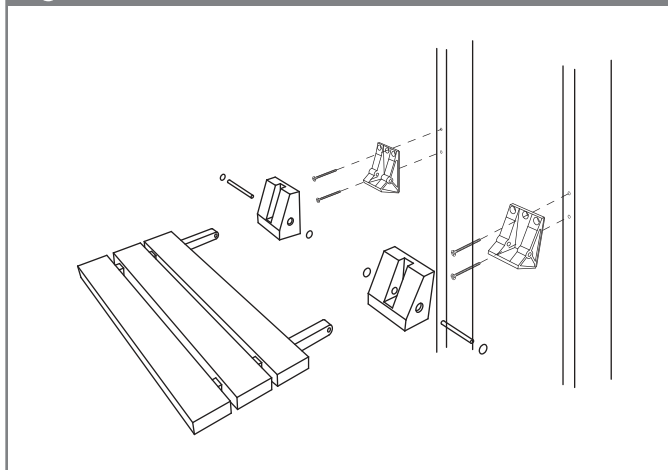


Figure 2 - Header

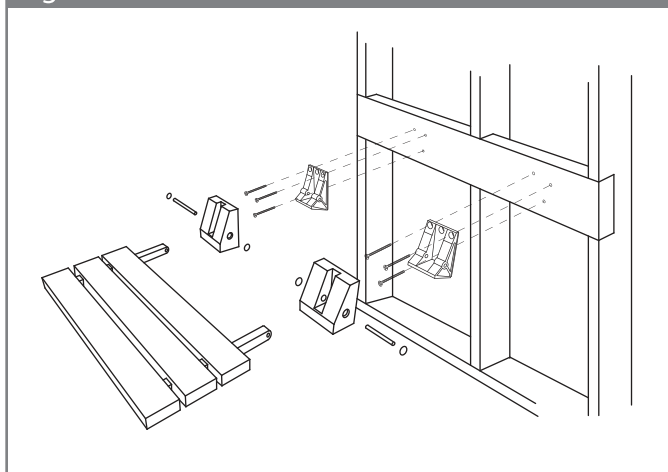
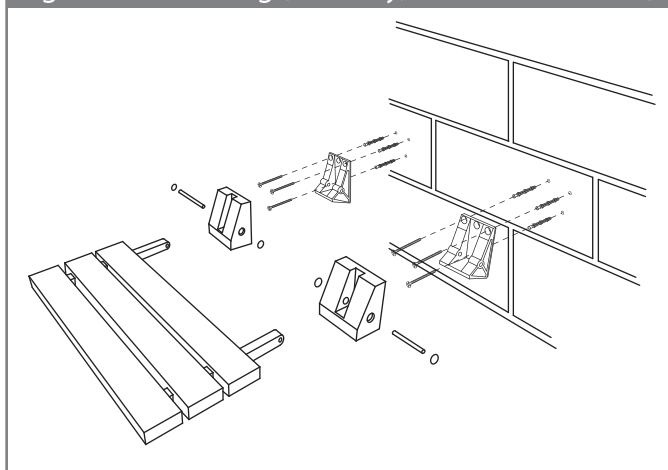
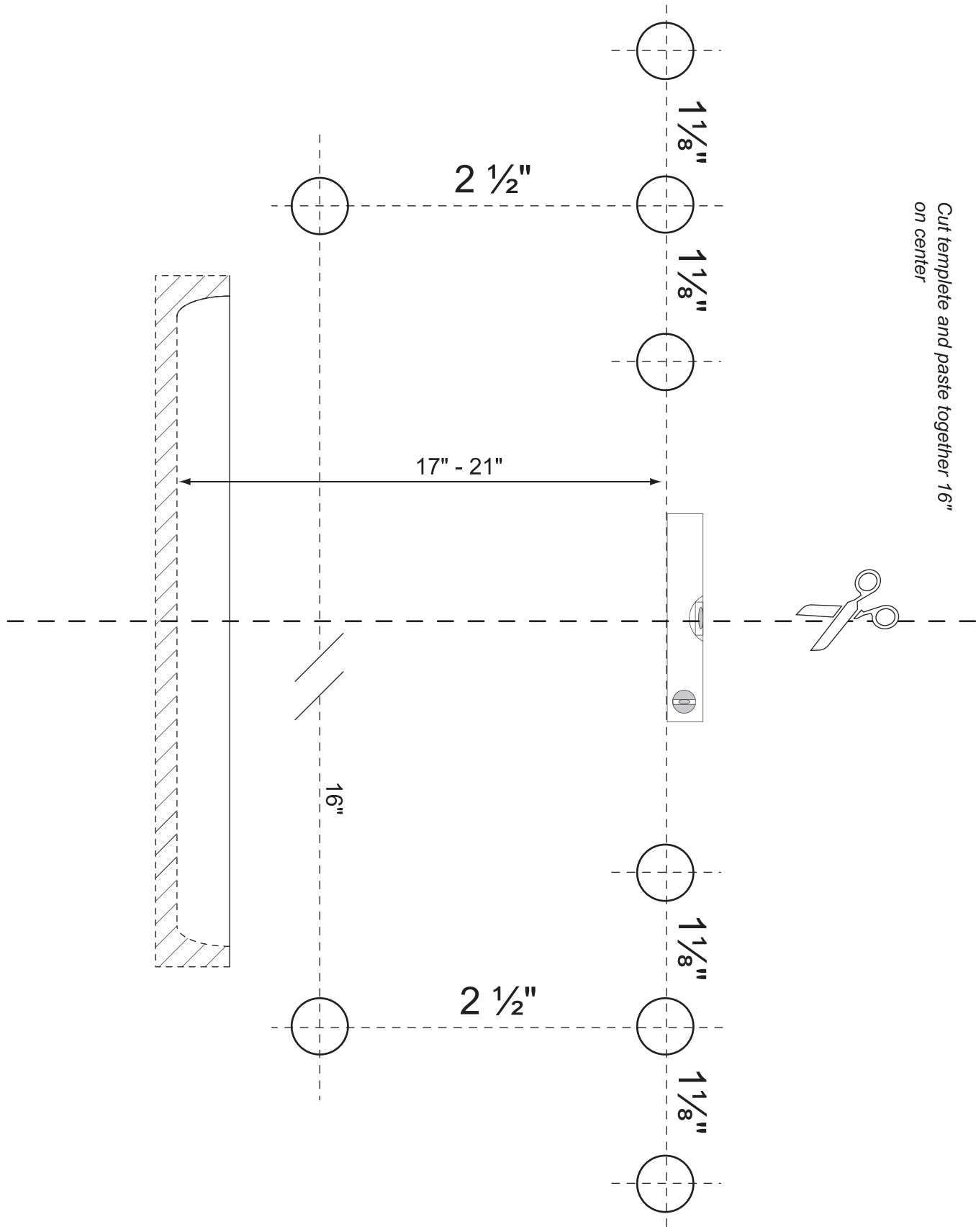


Figure 3 - Mounting (Masonry, brick or Block Wall)





Cut template and paste together 16" on center