

STEAMIST®

Commercial "HC" Series Specifications Models: HC-9, HC-12, HC-15, HC-18, & HC-24

Certification

ASME certified Electric Boiler

UL Listed

Control Package

- 68009 - DCCP - Digital Commercial Control Package - with **Energy-Savings** idle setback feature for off-peak hours
- 7-Day Programmable
- Digital Touch pad control, allows 6 daily programs using 24/7 clock
- Programs both Max and **Energy-Savings** idle-back temperature
- Steambather can easily switch from "Idle" to maximum settings from outside steamroom.
- The user bypass feature can be programmed from 0 – 60 minutes.
- Rapid heat-up time from "Idle" to maximum temperatures.
- Can program 2 steam rooms with one control (SRP required for 2nd room)
- Locking keypad prevents unauthorized program changes.

Safety Features

- Automatic Regulator Pressure Control
- High Limit Pressure Control with Manual Reset
- Pressure Gauge
- Sight Glass Gauge
- Check Valves
- Drain Valve
- Cool Sense Steam Head Cover
- Low Water safety cut-off to deenergize the heater in the event of a low water condition
- Automatic Microprocessor controlled water feed with stainless steel probes

Operating Pressure

Max. 15 PSI

Dimensions

39" x 22" x 28"H

Water Feed

1/2" NPT

Steam Output

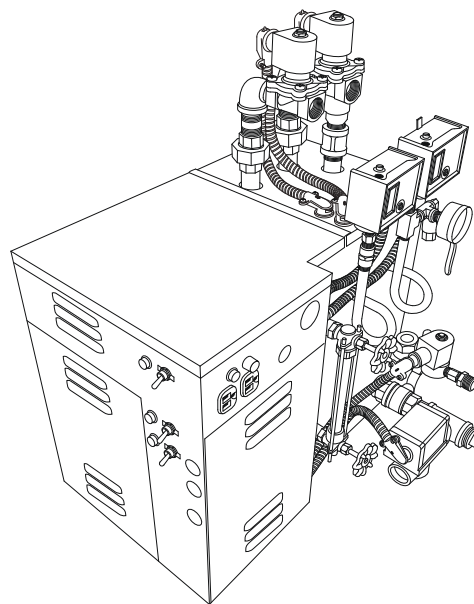
3/4" NPT

Optional Equipment

- 68010 - SRP - Second Room Package
- 68014 - Automatic Blowdown Valve - 208V
- 68015 - Automatic Blowdown Valve - 480/240V
- 68016 - TA-100 Temperature Alert
- 68017 - Commercial Aroma Pump
- 68018 - Eucalyptus Aromatherapy Pure Oil - 1.1 liter bottle
- 68019 - Lavender Aromatherapy Pure Oil - 1.1 liter bottle
- 68005 - Commercial Stand
- 68007 - ASME Blowdown Tank
- 68020 - HC-LWMR Aux Cutoff Control

Warranty

HC series generators are warranted against defects in materials and workmanship for a period of 1 year and labor for a period of 90 days from the date of purchase.

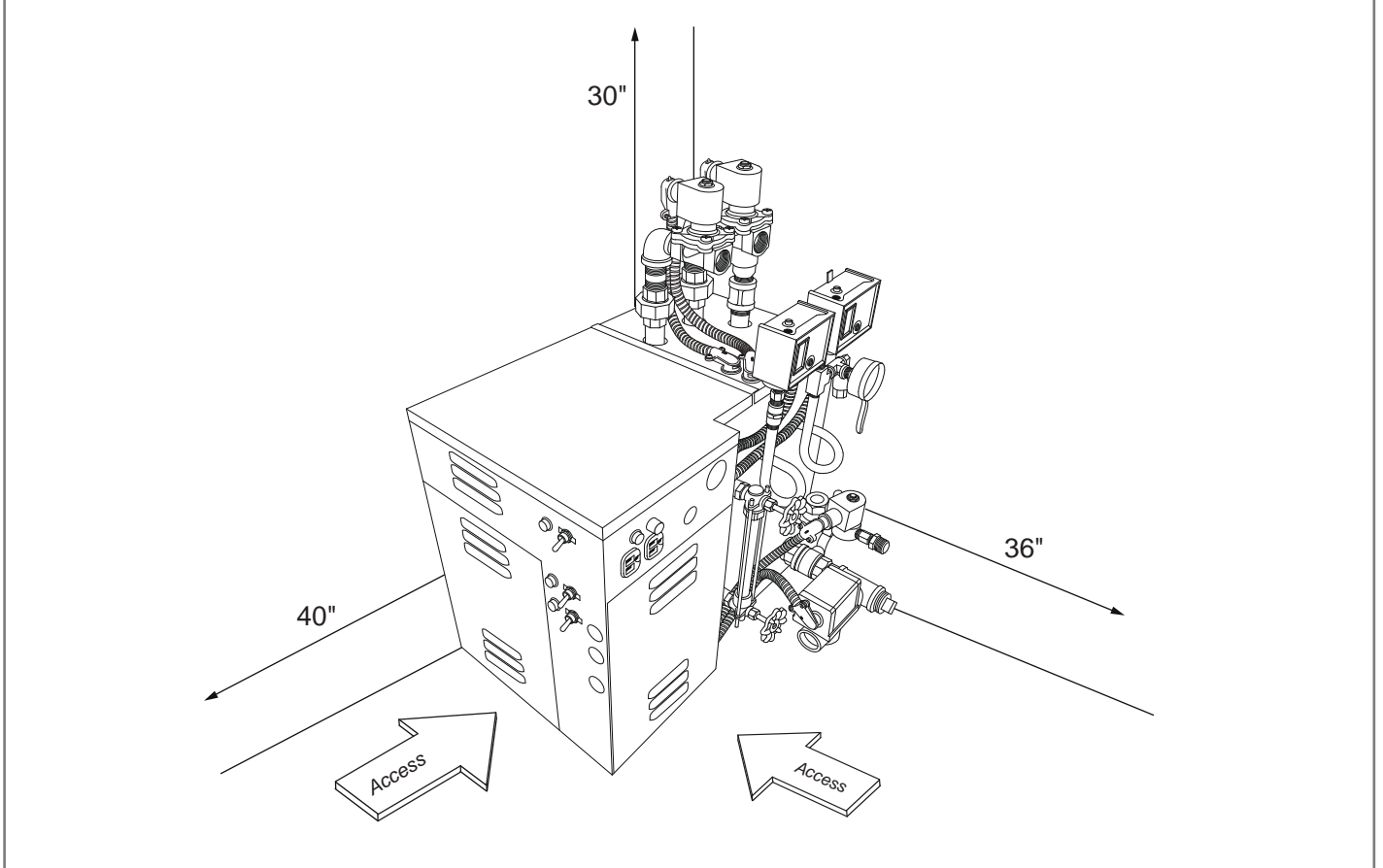


Specification Chart

Model No.	kW	Maximum Cubic Foot Range	Product No.	Volts	Phase	Amps	Breaker Size
HC-9	9	400	60900	240	1	38	50
			60901	208	1	43	60
			60902	240	3	22	30
			60903	208	3	25	35
			60904	480	3	11	15
HC-12	12	500	61200	240	1	50	70
			61201	208	1	58	80
			61202	240	3	29	40
			61203	208	3	33	45
			61204	480	3	15	20
HC-15	15	620	61500	240	1	63	80
			61501	208	1	72	90
			61502	240	3	36	45
			61503	208	3	42	60
			61504	480	3	18	25
HC-18	18	740	61800	240	1	75	100
			61801	208	1	87	110
			61802	240	3	43	60
			61803	208	3	50	70
			61804	480	3	22	30
HC-24	24	1000	62400	240	1	100	125
			62401	208	1	115	150
			62402	240	3	58	80
			62403	208	3	67	90
			62404	480	3	29	40

Access Requirements

Models: HC-9, HC-12, HC-15, HC-18, & HC-24 with DCCP Control



Dimensional Drawing for Heavy Commercial Steam Generator (HC-9 thru HC-24)

