

TITLE	CLIENT	REV	MATERIAL	DRAWN BY
		FV-350 & FV-150		
SIZE	DWG NO.	SCALE	DATE	
A				

NON-RETURNABLE

SIGNATURE REQUIRED

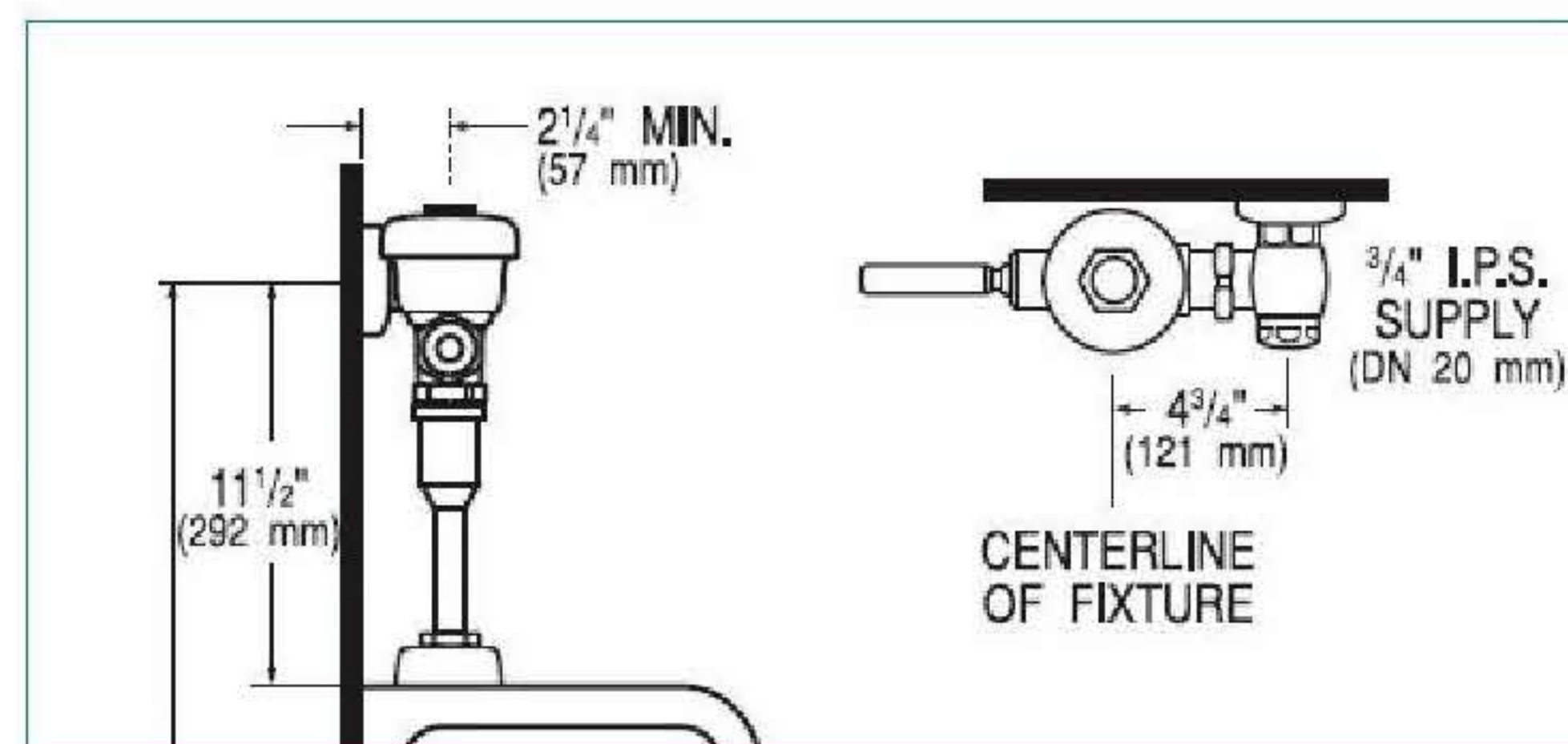


► **Description**
Exposed Urinal Flushometer for 3/4" top soud urinals.

► **Specifications**
Quiet, Exposed, Diaphragm Type, Chrome Plated Urinal Flushometer with the following features:

- High Chloramine Resistant PERMEX™ Synthetic Rubber Diaphragm with Linear Filtered Bypass and Vortex Cleansing Action™
- ADA Compliant Metal Oscillating Non-Hold-Open Handle with Triple Seal Handle Packing
- 3/4" I.P.S. Screwdriver Bak-Chek™ Angle Stop
- Vandal Resistant Stop Cap
- Adjustable Tailpiece
- Vacuum Breaker with Flush Connection
- Spud Coupling and Spud Flange for 3/4" Top Spud
- Sweat Solder Adapter with Cover Tube and Cast Wall Flange
- High Copper, Low Zinc Brass Castings for Dezincification Resistance
- Non-Hold-Open Handle and No External Volume Adjustment to Ensure Water Conservation
- Low Consumption flush accuracy
- Handle Packing, Stop Seat and Vacuum Breaker Molded from PERMEX™ Rubber Compound for Chloramine Resistance

Valve Body, Cover, Tailpiece and Control Stop shall be in conformance with ASTM Alloy Classification for Semi-Red Brass. Valve shall be in compliance to the applicable sections of ASSE 1037.



FV-350: 3.5/GAL PER FLUSH

FV-150: 1.5/GAL PER FLUSH