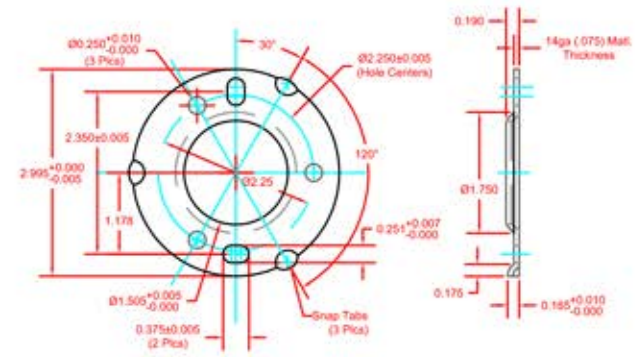
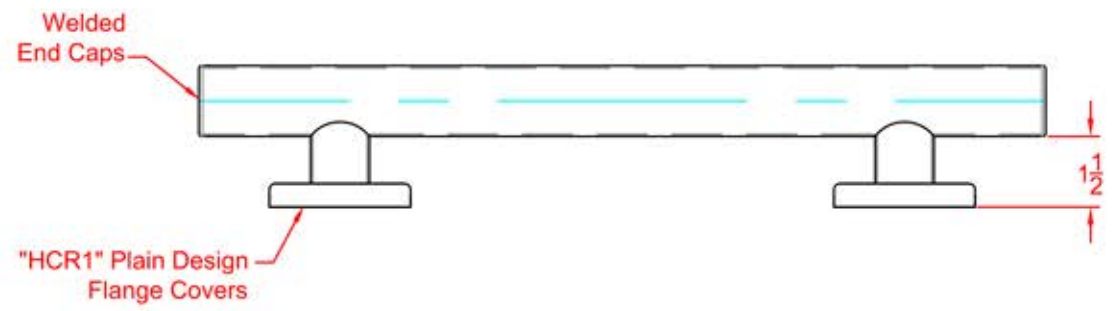
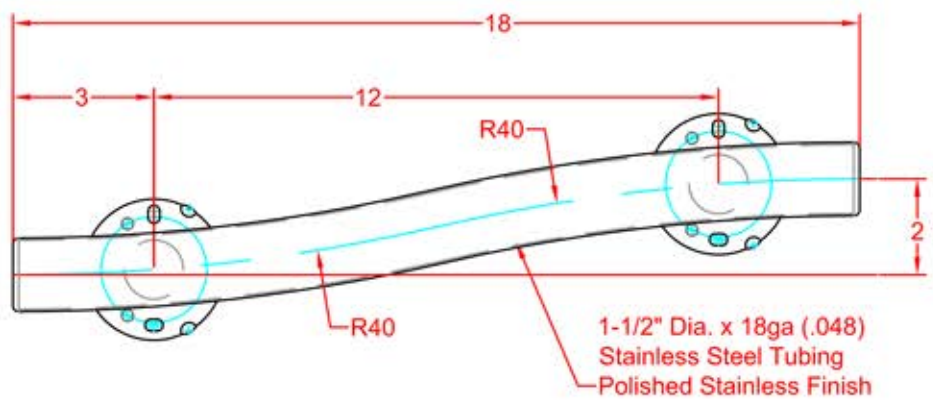


SEACHROME

SEACHROME CORPORATION
Phone: (800) 955-2476
Fax: (800) 444-3380
www.seachrome.com

Description:
GW-3518-HCR-PS
Wave Bar 18"
(Polished Stainless Finish)

Customer:
Customer Part #
05-21-2012



IHCR5-B-Flange
Detail

This drawing and the information contained herein is proprietary to Seachrome Corp. and shall not be reproduced, copied or disclosed in whole, or part, or used for manufacturing or for any other purpose without the written permission of Seachrome Corporation.