

SEACHROME

SEACHROME CORPORATION

Phone: (800) 955-2476

Fax: (800) 444-3380

www.seachrome.com

Description:

GW-4130-SS SWING-UP GRAB BAR (Satin Stainless Finish)

Customer:

Customer Part #

05-21-2012

OPERATION:

Constant Friction Hinge guides the Swing-Up Bar up and down with less than 3 lbs. of force. The Swing-Up Bar will not move of its own weight.

This drawing and the information contained herein is proprietary to Seachrome Corp. and shall not be reproduced, copied or disclosed in whole, or part, or used for manufacturing or for any other purpose without the written permission of Seachrome Corporation.

ARCHITECTURAL SPECIFICATIONS

SEACHROME #GW-4130-SS SWING-UP BAR

from Seachrome Corporation

Phone: (800) 955-2476

Mounting Plate.... 10ga., 304 Stainless Steel

Swing-Up Bar..... 1-1/4" Dia. x 18ga., 304

Stainless Steel Tubing.

Constant Friction Hinge... 12ga., 304 S.S.

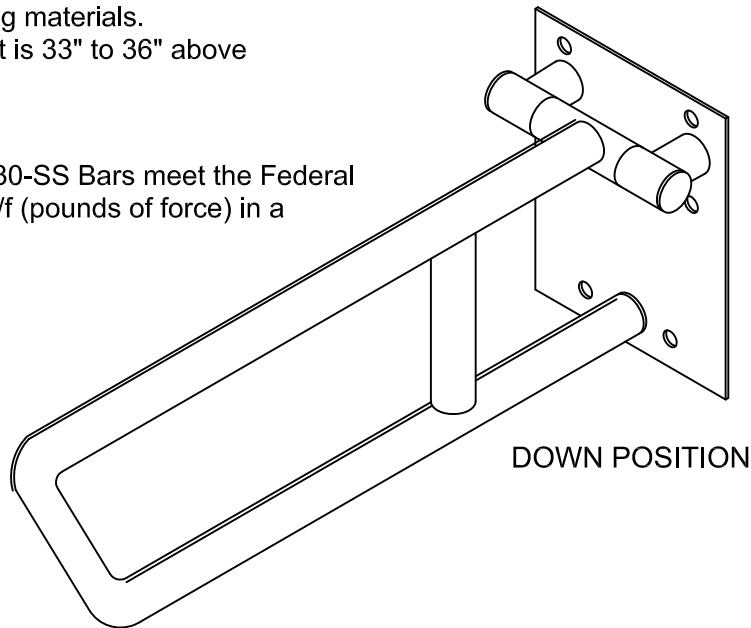
INSTALLATION

All Swing-Up Bars must be installed using sufficient in-wall backing materials.

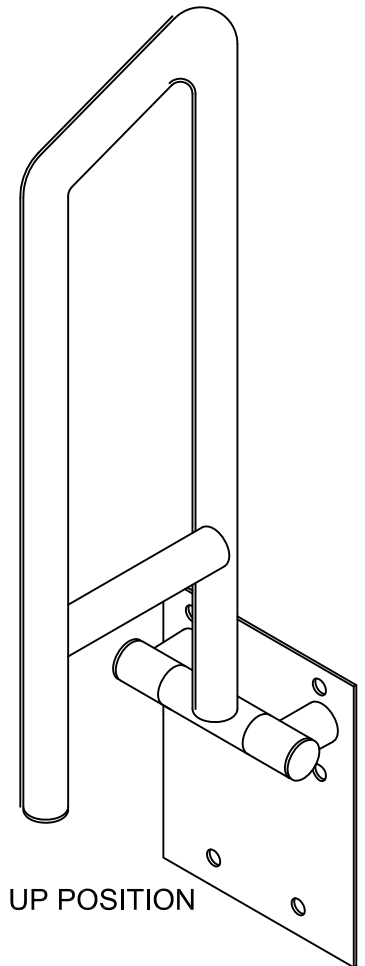
A.D.A. Mounting Height is 33" to 36" above the floor level.

LOAD RATING:

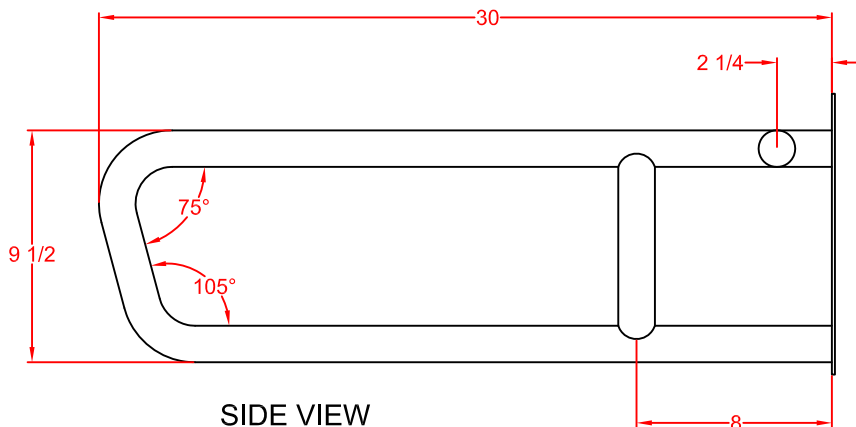
All Seachrome GW-4130-SS Bars meet the Federal specifications of 250 lb/f (pounds of force) in a downward position.



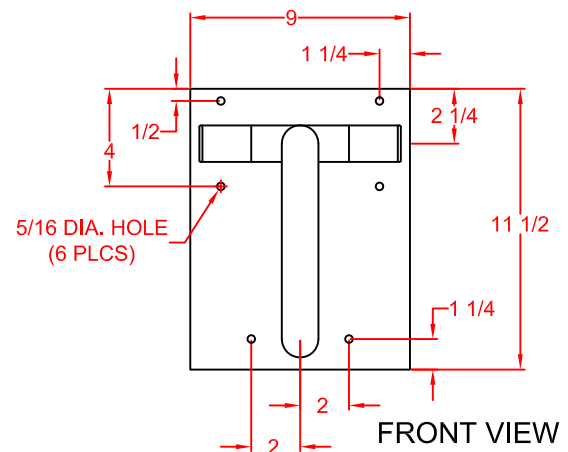
DOWN POSITION



UP POSITION



SIDE VIEW



FRONT VIEW