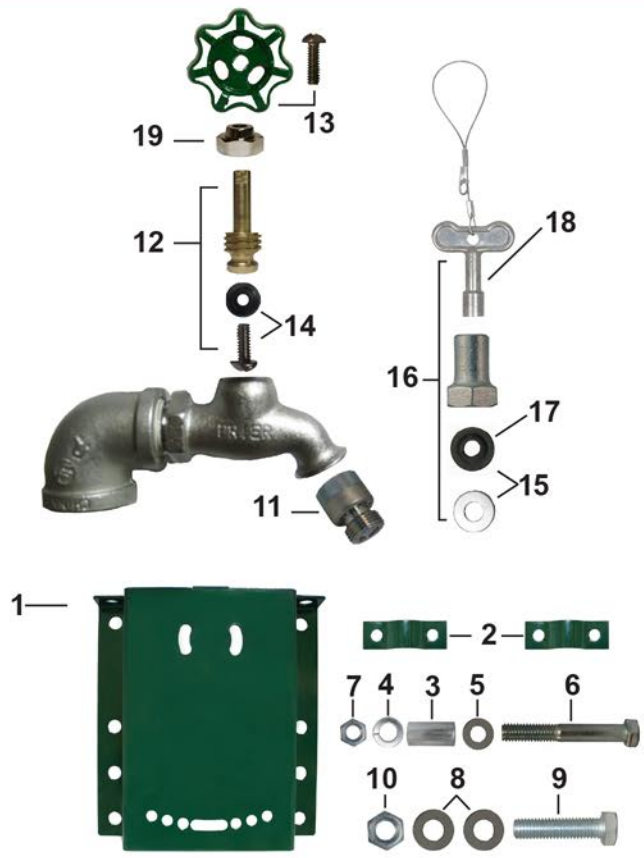


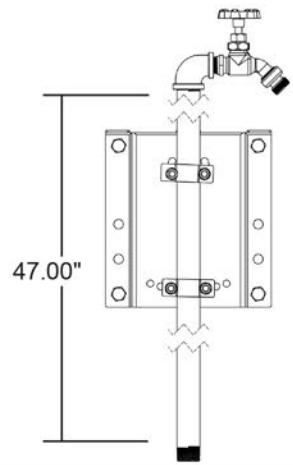
Replacement Parts & Stems



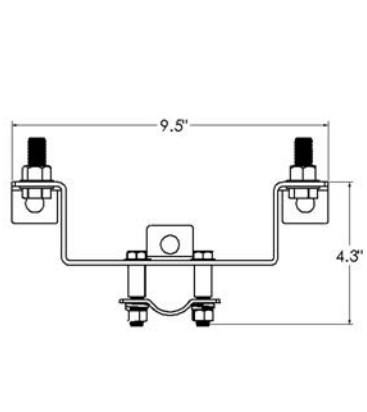
ID	Part No.	Description
1	314-0021	Mounting Bracket
2	314-0022	Pipe Bracket
3	314-0023	Stand Off
4	314-0025	3/8" Lock Washer
5	324-1006	3/8" Flat Washer
6	314-0024	3/8" Shoulder Bolt
7	314-0027	3/8" Nut
8	314-0029	1/2" Flat Washer
9	314-0028	1/2" Bolt
10	314-0030	1/2" Hex Nut
11	P-004CP	Vacuum Breaker Assembly
12	231-0001	Stem Assembly
13	C-134KT-805	Oval Handle and Screw Kit
14	C-135KT-802	Seat Washer Kit, 1/4" L Beveled
15	C-134KT-803	Stem Packing Kit
16	C-134KT-804	Loose Key Conversion Kit
17	390-1001	Stem Packing Only
18	C-108KT-808	Loose Key on Lanyard
19	310-1012	Valve Stem Cap

Rough-In Dimensions

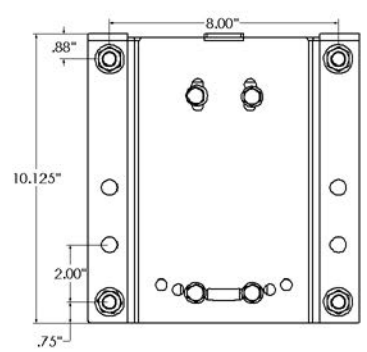
Side Hydrant View



Bottom Bracket View



Front Bracket View



Specs

Furnish and install Model P-RH3 Commercial Post Mount Roof Hydrant manufactured by PRIER Products, Inc. Hydrant shall be installed through a 1 3/4" single penetration in the roof and mounted to the interior structure with the Universal Roof Hydrant Mounting Bracket (P-RMB) provided. This bracket must be manufactured of heavy gauge powder coated steel and must allow for adjustment to meet roof angles up to 4/12. The mounting bracket shall be mounted to concrete, a roofing truss, steel I-beam or interior wall with standard construction materials (all-thread, Unistrut or other). The hydrant shall have an integral vacuum breaker/backflow preventer and be approved under the ASSE 1052 standard. The hydrant shall have a 3/4" inlet and be made of brass with a satin nickel chromium finish. The roof penetration is to be sealed by the roofing contractor in accordance with the roofing codes and conditions in their municipality.