

# Offset Side-to-Side Sink Installation Instructions

## PW-114 P Contents:

This package includes:

- (1) Inner and (1) Outer Channel Set – Long
- (2) Inner and (2) Outer Channel Set – Short
- (1) Offset Bar (Flips over for Left or Right Offsets)
- (10) Wood Screws
- (10) ¼ x ¾ assembly bolts
- (14) 3 ½", Leveling bolts and caps
- (2) ¼" Nuts
- (2) Side Plates

### Assemble Sink Setter Members & Pre-fit Sink

1) (See Fig. 1) Slide the Long Channel pieces together (one inside the other) and open them up to set tight against the walls of the cabinet. Place a ¼" bolt at each end at the farthest point possible where the bolt goes through the top half and into the threaded lower channel.

2) (See Fig. 2). Join the Two Short Outer Channels with the Offset Bar by 4 assembly bolts. (Note – flipping the Offset Bar over will adapt for either a right or left sink offset.) Then attach an Inner Short Channel to each end of this Offset Assembly with ¼" assembly bolts, completing it. Open up the completed assembly to tighten against the cabinet walls at the same time aligning the sink setter's offset to fit the sink's offset. (See Fig. 3) Matching the sink offset & assembled bar offset as close as possible allows more room for the faucets and plumbing.

3) Thread the leveling bolts through the threaded holes in a pattern that supports the sides of the sink evenly. Raise the heights to about 1 ½". Repeat the process for the second Sink Setter assembly.

4) Mount the hanger plates to the ends of the cabinet and flush with the top of the cabinet. Place the Sink Setters on the hanger plates and tight against the underside walls of sink and under the sink rim. Slide the Sink Setters and the sink into the desired final sink position. Lay a level or straight edge across the top of the cabinet and adjust the leveling bolts.

5) Caulk the rim of the sink to provide a seal as the sink is raised back up into position during the final step. Place the countertop (with the sink opening pre-cut) in position and raise the leveling bolts with a nut driver (See Fig. 4)

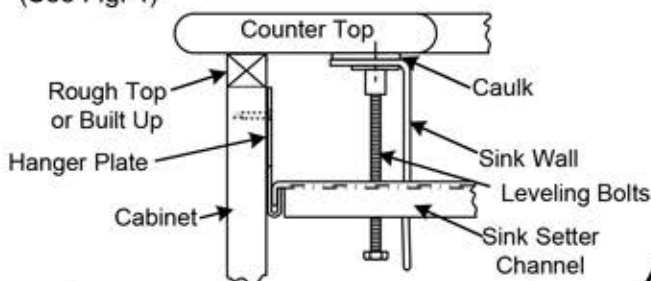


Fig. 4 Cross-Section of Mounting

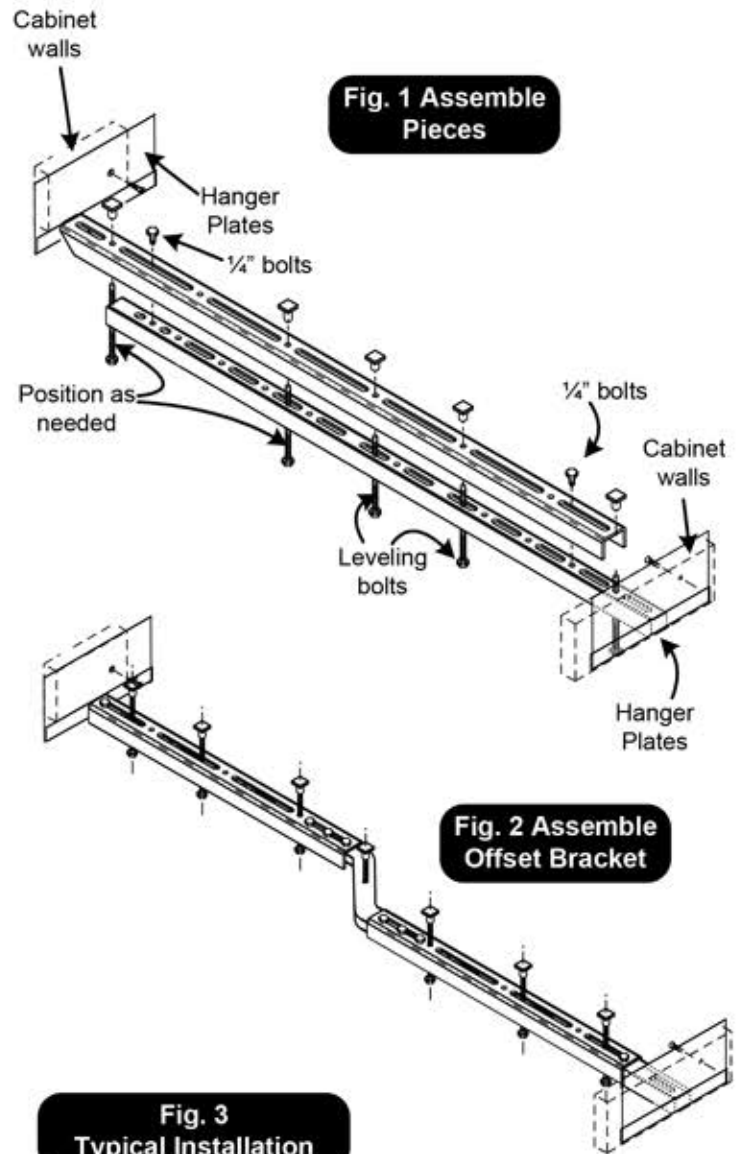


Fig. 1 Assemble Pieces

Fig. 2 Assemble Offset Bracket

Fig. 3 Typical Installation

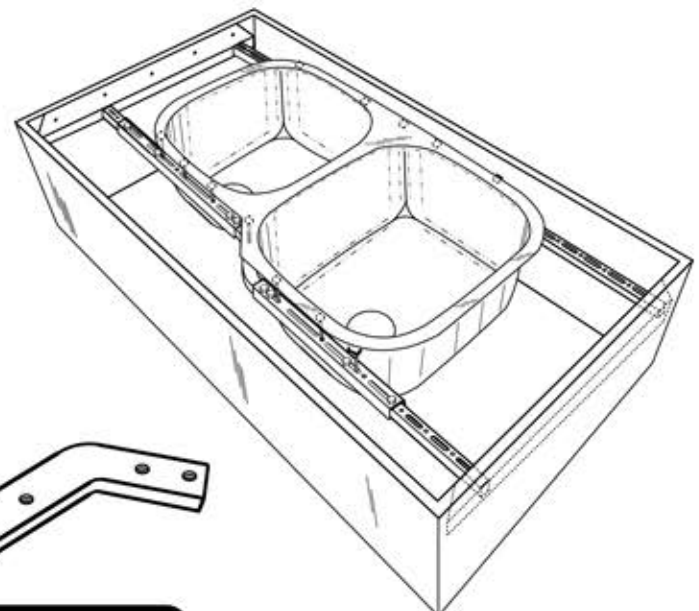


Fig. 5 Offset Bar Flip for Left or Right