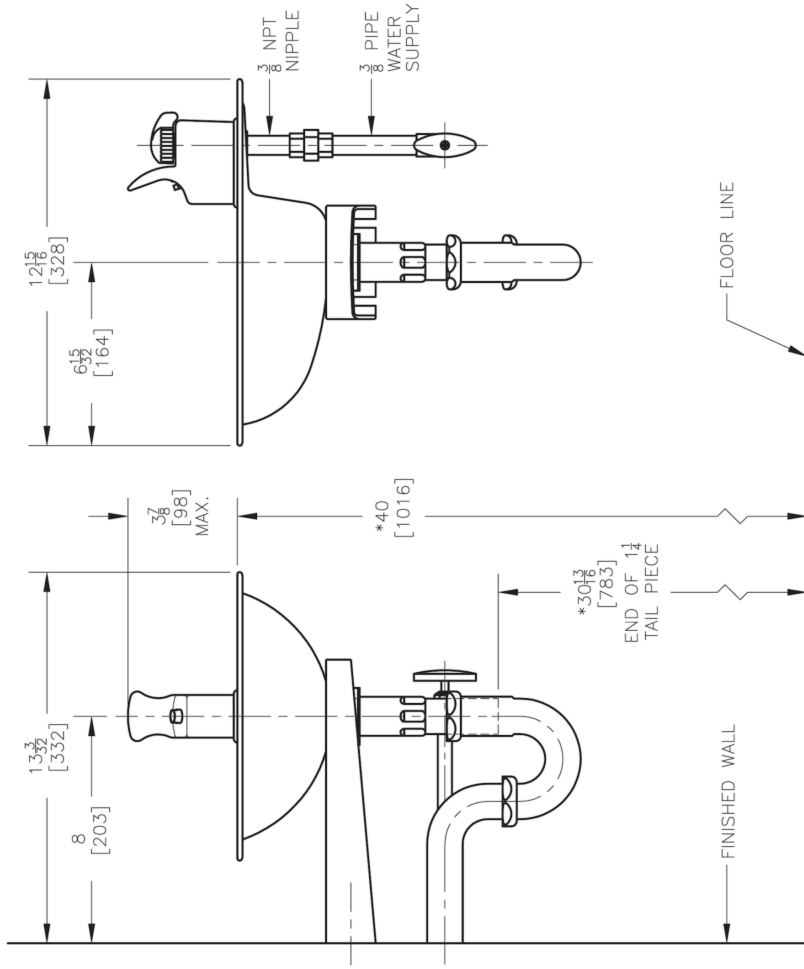
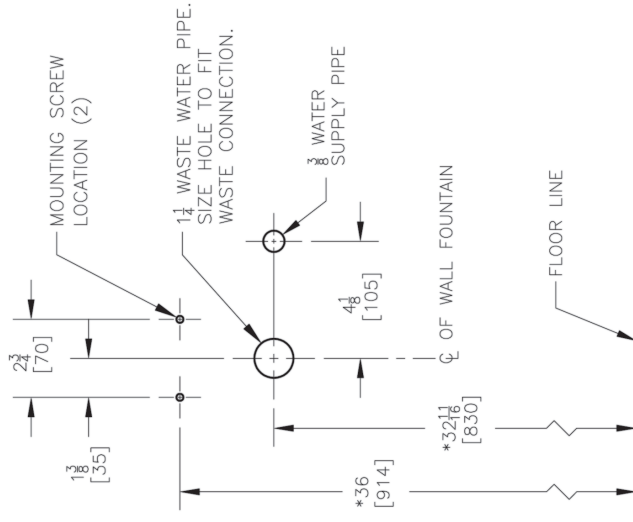


# OASIS® MOUNTED DRINKING FOUNTAIN MODEL F120

DIMENSIONAL DRAWING

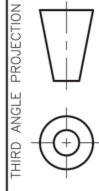


ROUGHING-IN DRAWING



**NOTES:**

1. TRAP, FIXTURE STOP VALVE, 3/8 WATER SUPPLY PIPES, AND UNION NOT FURNISHED WITH DRINKING FOUNTAIN.
2. RECOMMENDED ADULT HEIGHT INSTALLATION SHOWN. ADJUST VERTICAL DIMENSIONS AS REQUIRED TO COMPLY WITH FEDERAL, STATE AND LOCAL CODES.
3. ALL DIMENSIONS ARE IN INCHES. DIMENSIONS IN BRACKETS [ ] ARE IN MILLIMETERS.
4. THE FOLLOWING STATES REQUIRE A LICENSED PLUMBER TO INSTALL FOUNTAIN; AR, GA, MA, MI, OK, RI, SC, SD, TX, VT AND WI. CA, KS, MN, NM, AND OR ALLOW FOR A STATE REGISTERED INSTALLER OR CONTRACTOR AS WELL. STATE AND LOCAL PLUMBING CODES MAY PROHIBIT THE USE OF SADDLE TAPPING VALVES FOR WATER LINE CONNECTION IN SOME APPLICATIONS. ALL CONNECTIONS MUST CONFORM TO APPLICABLE PLUMBING CODES.



ROUGHING-IN AND DIMENSIONAL DRAWING

Oasis International, 222 East View Campus View Blvd., Columbus, OH 43235  
 For customer service and technical helpline assistance call: 800.950.3226



[www.oasiscoolers.com](http://www.oasiscoolers.com)

Oasis and VersaCooler are registered trademarks of LVD Acquisition, LLC dba Oasis International. © 2016 LVD Acquisition