

General

Provide MYSON INT CLASSIC COMFORT electric towel warmer including accessories as scheduled. INT Classic Comfort towel warmers, available in 3 sizes, are made of cold rolled steel tube and fittings in a variety of finishes. The INT hydronic towel warmer is approved for installation on closed loop hydronic hot water systems only.

Each INT towel warmer is constructed with 2"x1⁵/₈"x1⁵/₈" triangular vertical and 2³/₄"x7¹/₁₆" flat horizontal tubes. Integral wall mounting lugs are welded onto the back and an adjustable four point mounting kit in a matching finish is included. The towel warmers are equipped with a blind plug and manual air vent. Every unit is factory filled, tested and inspected to insure the finest quality product.

Standard Connections:

4 x internal thread G 1/2" BSP

Maximum positive operating pressure: 58 psi

Maximum operating temperature: 230° F

Weight:

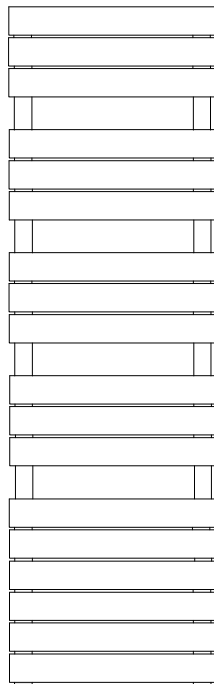
(see below)

Available Finishes:

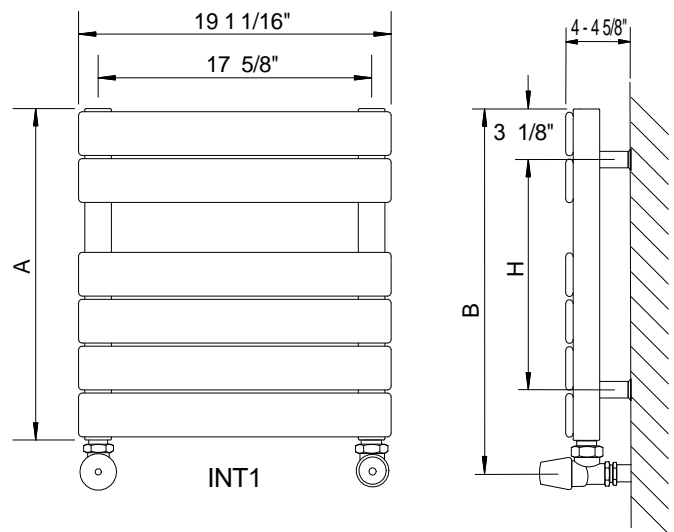
RAL9016 - White epoxy polyester powder coat



INT2



INT3 Configuration



MODEL	Dim "A"	Dim "B"	Dim "H"	BTUH*	Wgt. (lbs)
INT1	20 7/8"	22 1/2"	13"	1024	40
INT2	35 5/8"	37 1/4"	24 7/16"	1692	48
INT3	65 3/16"	66 13/16"	57 1/2"	2506	54

*AWT = 155 Degrees Fahrenheit



Standard Valve Set - STDVKIT
The set includes one (1) FF16WAC adjustable and (1) FF16LAC non-adjustable 1/2" valve. Available only with chrome angle body and white handles



Modern Valve Set - V16A
"Angle" or V16S "Straight" pattern. Straight valves are normally used when the pipes come from the floor instead of the wall. Available in matching finishes.



Cross Handle Valve Set - CHV16
The set includes two (2) Cross Handle valves. The Cross Handle valves are only available in an angle pattern and are available in matching finishes.



Sleeve Kit - SK16 The set includes two (2) .656" I.D. x 3" brass sleeves and two (2) 2" diameter brass escutcheons. Available in matching finishes.

Optional valves and sleeve kits are recommended and available from MYSON.



Warranty:

MYSON European Tradition Towel Warmers are covered by a 10 year warranty.

Quality certificates



PROJECT NAME:
ARCHITECT:
ENGINEER:
SUBMITTED DATE:

APPROVED DATE:

