



**WEO CLASSIC COMFORT  
ELECTRIC TOWEL WARMER**

**Submittal Data**

**General**

Provide MYSON WEO CLASSIC COMFORT electric towel warmer including accessories as scheduled. Classic Comfort towel warmers, available in 2 sizes, are made of cold rolled steel tube and fittings in a variety of finishes. The WEO electric towel warmer is ETL approved.

Each WEO towel warmer is constructed with 1" diameter bars. Three integral wall mounting flanges that are welded onto the back. The towel warmers are equipped with an ISO 9001 certified PTC smart thermo control element and a back lit on/off rocker switch (Figure 1). Each unit is filled to a precise level with a glycol based heat transfer fluid for optimum convective flow, providing a constant surface temperature. Every unit is factory tested to insure the finest quality product with design temperature output.

**Standard Connection:**  
single gang box

**Electrical Specifications:**  
120 Vac 60 Hz (see below)

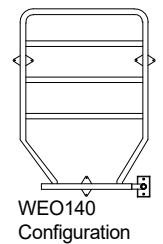
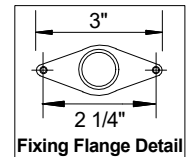
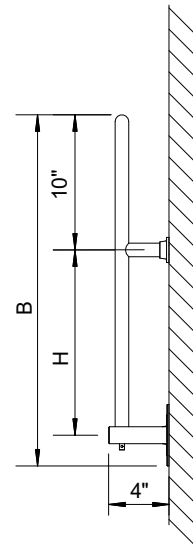
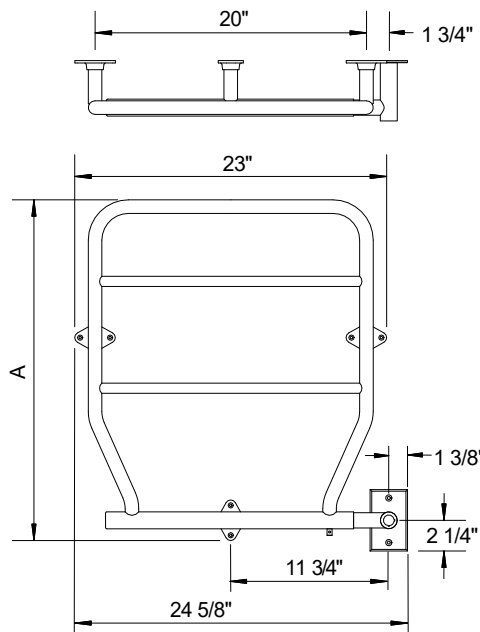
**Weight:**  
(see below)



Figure 1

**Available Finishes:**

Polished Chrome, Polished Nickel, Satin Nickel, Regal Brass, Oil-Rubbed Bronze, White



MODEL	Dim "A"	Dim "B"	Dim "H"	Watts*	Amps	Wgt.(lbs)
WEO100	25 3/16"	25 15/16"	13 11/16"	95 PL 110 PA	.86 1.0	21
WEO140	34 1/2"	35 1/4"	23"	135 PL 185 PA	1.23 1.68	31

\*Represents draw at steady state. Power could be higher during warm up. PL = Plated Finishes  
PA = Painted Finishes



**Warranty:**  
MYSON European Tradition Towel Warmers are covered by a 10 year warranty.

An optional ST01C programmable timer is recommended and available from MYSON.



**Quality certificates**



PROJECT NAME:  
ARCHITECT:  
ENGINEER:  
SUBMITTED DATE:

APPROVED DATE:

APPROVED