

General

Provide MYSON ECMH3-1 CONTEMPORARY DESIGNER electric towel warmer including accessories as scheduled. Contemporary Designer towel warmers are made of brass tube and fittings in a variety of finishes. The ECMH3-1 electric towel warmer is ETL approved.

Each ECMH3-1 towel warmer is constructed with 1-1/2" "D" shaped vertical and 1" oval convex horizontal bars. Integral wall mounting lugs are welded onto the back and an adjustable four point mounting kit in a matching finish is included. The towel warmers are equipped with an ISO 9001 certified PTC smart thermo control element and a back lit on/off rocker switch (Figure 1). Each unit is filled to a precise level with a glycol based heat transfer fluid for optimum convective flow, providing a constant surface temperature. Every unit is factory tested to insure the finest quality product with design temperature output.

Standard Connection:
single gang box

Electrical Specifications:
120 Vac 60 Hz 75/100W*

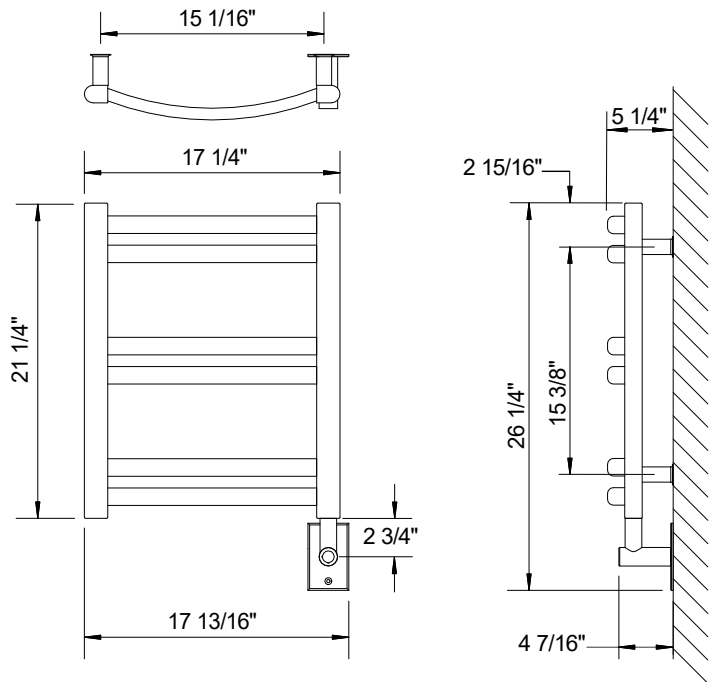
Weight:
20 lbs.



Figure 1

Available Finishes:

Polished Chrome, Polished Nickel, Satin Nickel, Regal Brass, Oil-Rubbed Bronze, White



* Represents draw at steady state. Power could be higher during warm up.
Lower value = Plated Finishes
Higher Value = Painted Finishes



Warranty:
MYSON European Tradition Towel Warmers are covered by a 10 year warranty.

An optional ST01C programmable timer is recommended and available from MYSON.

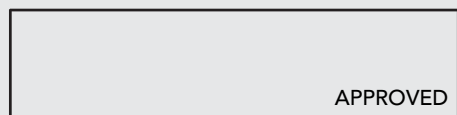


Quality certificates



PROJECT NAME:
ARCHITECT:
ENGINEER:
SUBMITTED DATE:

APPROVED DATE:





ECMH3-2 CONTEMPORARY DESIGNER ELECTRIC TOWEL WARMER

Submittal Data

General

Provide MYSON ECMH3-2 CONTEMPORARY DESIGNER electric towel warmer including accessories as scheduled. Contemporary Designer towel warmers are made of brass tube and fittings in a variety of finishes. The ECMH3-2 electric towel warmer is ETL approved.

Each ECMH3-2 towel warmer is constructed with 1-1/2" "D" shaped vertical and 1" oval convex horizontal bars. Integral wall mounting lugs are welded onto the back and an adjustable four point mounting kit in a matching finish is included. The towel warmers are equipped with an ISO 9001 certified PTC smart thermo control element and a back lit on/off rocker switch (Figure 1). Each unit is filled to a precise level with a glycol based heat transfer fluid for optimum convective flow, providing a constant surface temperature. Every unit is factory tested to insure the finest quality product with design temperature output.

Standard Connection:
single gang box

Electrical Specifications:
120 Vac 60 Hz 100/150W*

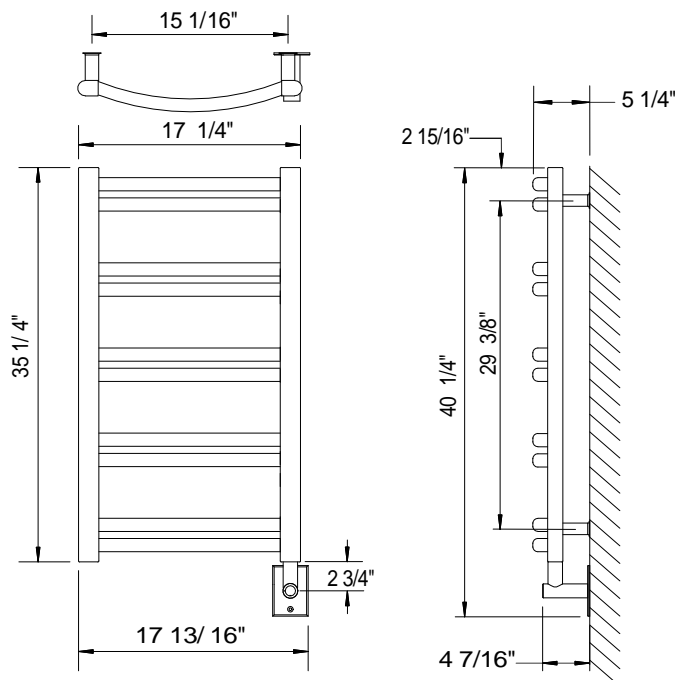
Weight:
28 lbs.



Figure 1

Available Finishes:

Polished Chrome, Polished Nickel, Satin Nickel, Regal Brass, Oil-Rubbed Bronze, White



* Represents draw at steady state. Power could be higher during warm up.
Lower value = Plated Finishes
Higher Value = Painted Finishes



Warranty:
MYSON European Tradition Towel Warmers are covered by a 10 year warranty.

An optional ST01C programmable timer is recommended and available from MYSON.



Quality certificates



PROJECT NAME:
ARCHITECT:
ENGINEER:
SUBMITTED DATE:

APPROVED DATE:

