



**ECM CONTEMPORARY DESIGNER  
ELECTRIC TOWEL WARMER**

**Submittal Data**

**General**

Provide MYSON ECM CONTEMPORARY DESIGNER electric towel warmer including accessories as scheduled. Contemporary Designer towel warmers, available in 4 sizes, are made of brass tube and fittings in a variety of finishes. The ECM electric towel warmer is ETL approved.

Each ECM towel warmer is constructed with 1-1/2" "D" shaped vertical and 1" oval convex horizontal bars. Integral wall mounting lugs are welded onto the back and an adjustable four point mounting kit in a matching finish is included. The towel warmers are equipped with an ISO 9001 certified PTC smart thermo control element and a back lit on/off rocker switch (Figure 1). Each unit is filled to a precise level with a glycol based heat transfer fluid for optimum convective flow, providing a constant surface temperature. Every unit is factory tested to insure the finest quality product with design temperature output.

**Standard Connection:**  
single gang box

**Electrical Specifications:**  
120 Vac 60 Hz (see below)

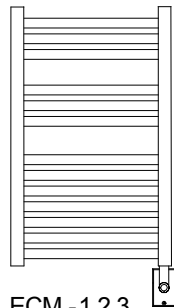
**Weight:**  
(see below)



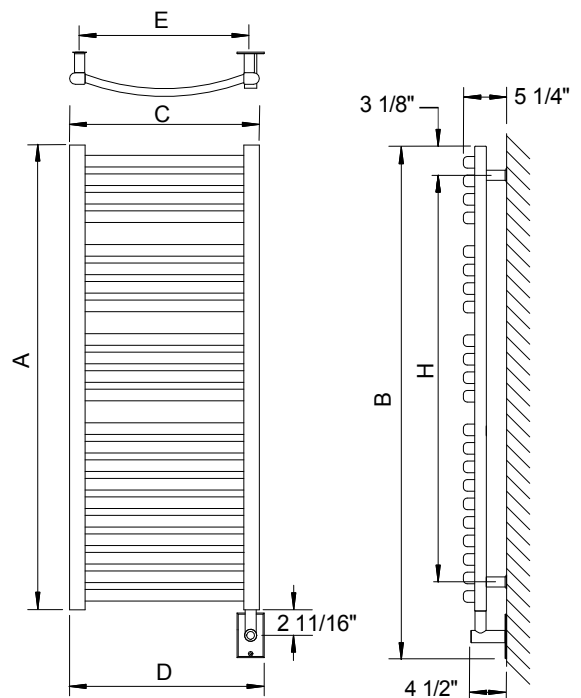
Figure 1

**Available Finishes:**

Polished Chrome, Polished Nickel, Satin Nickel, Regal Brass, Oil-Rubbed Bronze, White



ECM - 1,2,3  
Configuration



MODEL	Dim "A"	Dim "B"	Dim "C"	Dim "D"	Dim "E"	Dim "H"	Watts*	Amps	Wgt.(lbs)
ECM1	28 3/4"	33 11/16"	19 5/16"	19 13/16"	17 3/16"	22 7/16"	220 PL 235 PA	2.00 2.14	41
ECM2	28 3/4"	33 11/16"	23 1/4"	23 3/4"	21 1/8"	22 7/16"	230 PL 235 PA	2.09 2.14	47
ECM3	28 3/4"	33 11/16"	29 1/8"	29 5/8"	27"	22 7/16"	210 PL 320 PA	1.91 2.91	58
ECM4	47 1/4"	52 3/16"	19 5/16"	19 13/16"	17 3/16"	40 15/16"	255 PL 475 PA	2.32 4.32	61

\*Represents draw at steady state. Power could be higher during warm up.  
PL = Plated Finishes PA = Painted Finishes



**Warranty:**  
MYSON European Tradition Towel Warmers are covered by a 10 year warranty.

An optional ST01C programmable timer is recommended and available from MYSON.



**Quality certificates**



PROJECT NAME:  
ARCHITECT:  
ENGINEER:  
SUBMITTED DATE:

APPROVED DATE:

APPROVED