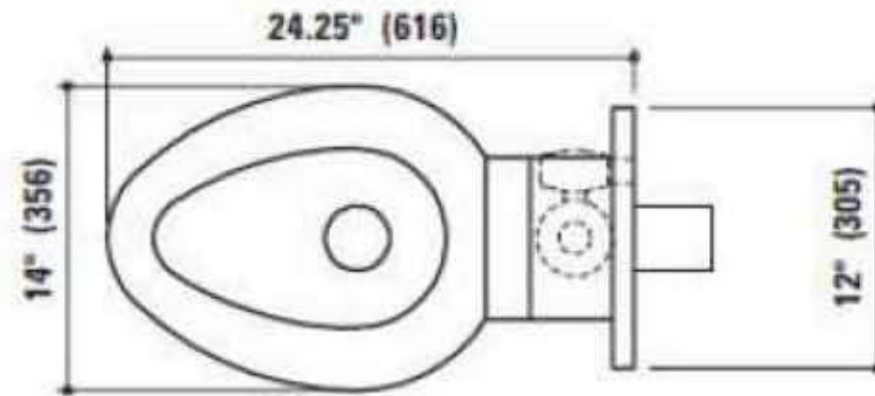
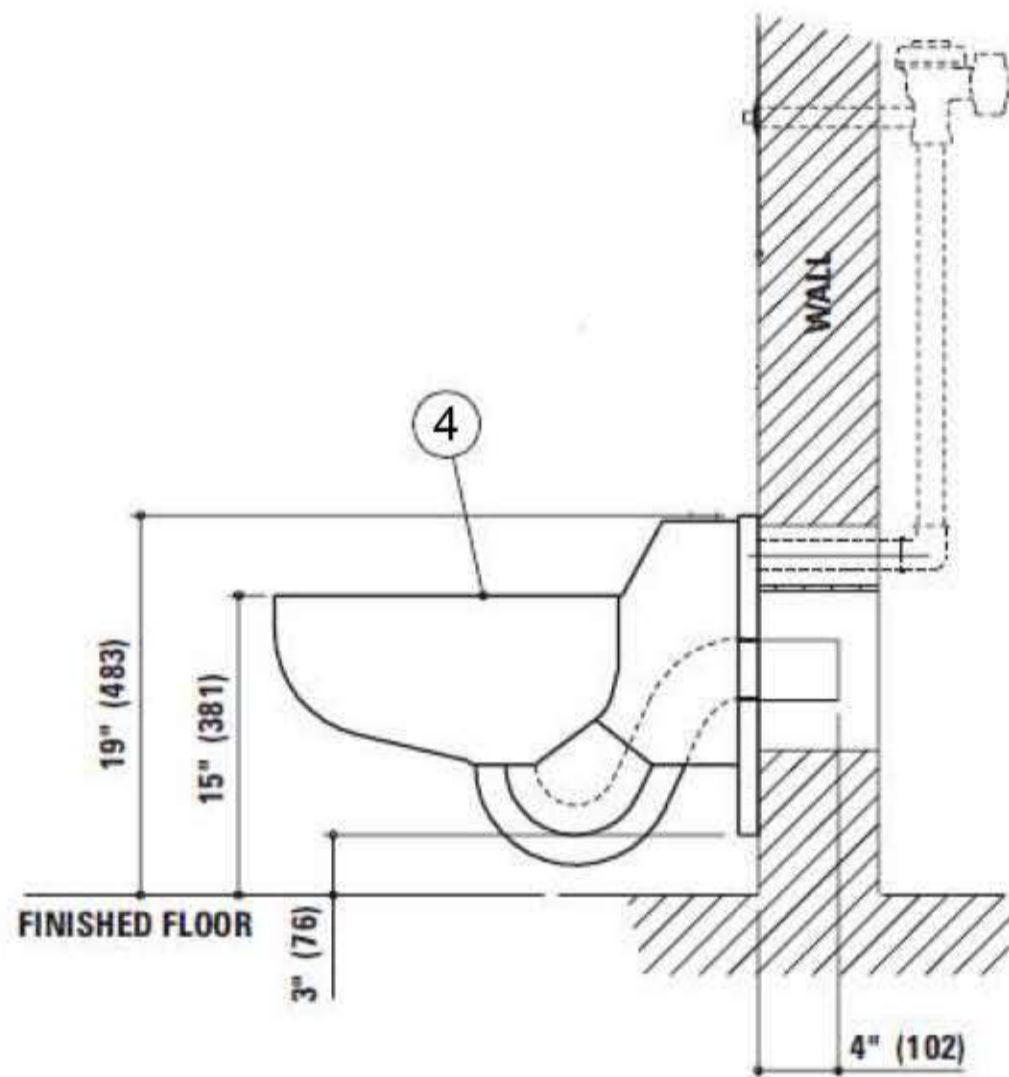


PlumbingSupply.com
Order Verification Form
Signature Required Below

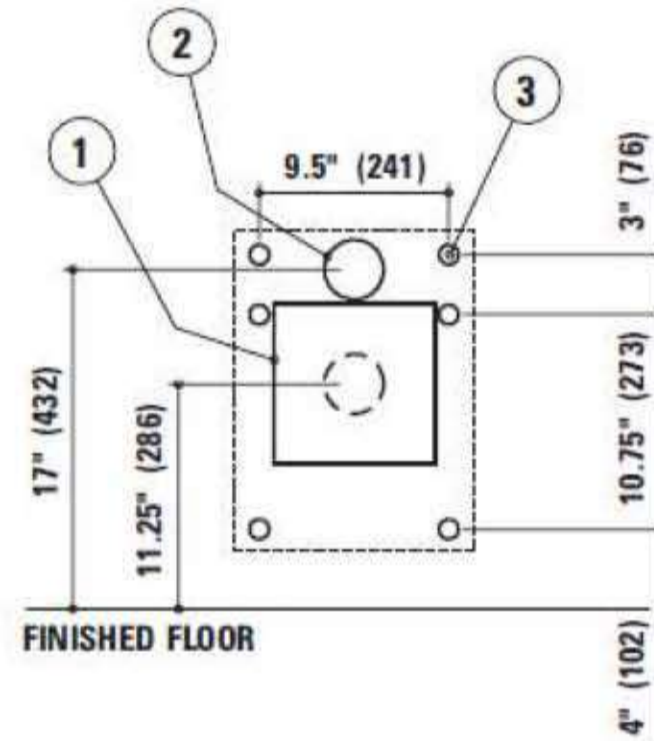
FIXTURE PLAN VIEW



FIXTURE SIDE VIEW



WALL ELEVATION VIEW (fixture side)



ROUGH-IN INFORMATION

- ① 8"x 8" (203mm x 203mm) wall opening for toilet waste connection
 - ② 3" (76mm) wall opening for 1 1/2" (38mm) FIPT flush supply inlet (model #4110)
 - ③ 1" (25mm) dia. wall openings for anchors (6)
 - ④ Mirror finish seat
- WITH HS - OPTION
includes hinged solid plastic seat

Dear Customer,

Verification must be received before order can be entered for shipment.

Please sign to verify #HET- 4110-HS 1.28 gpf - Back Supply Toilet meets your requirements.

X

Customer Signature

Please print name and return to:

PlumbingSupply Group LLC - FAX: 530-891-0654

EMAIL: sales@plumbingsupply.com