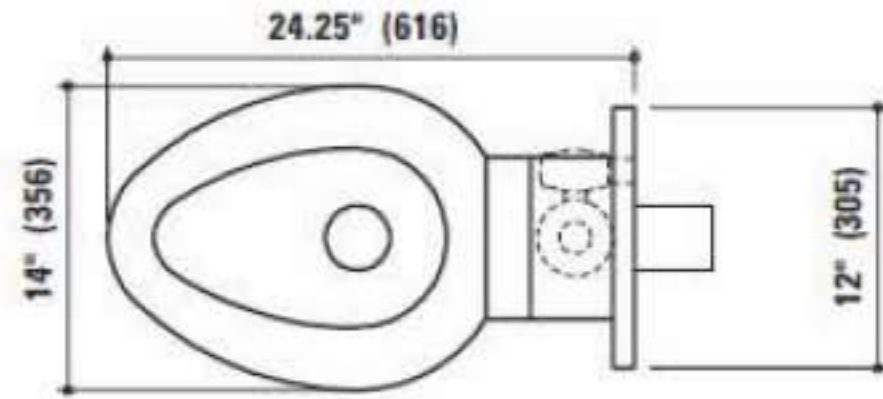
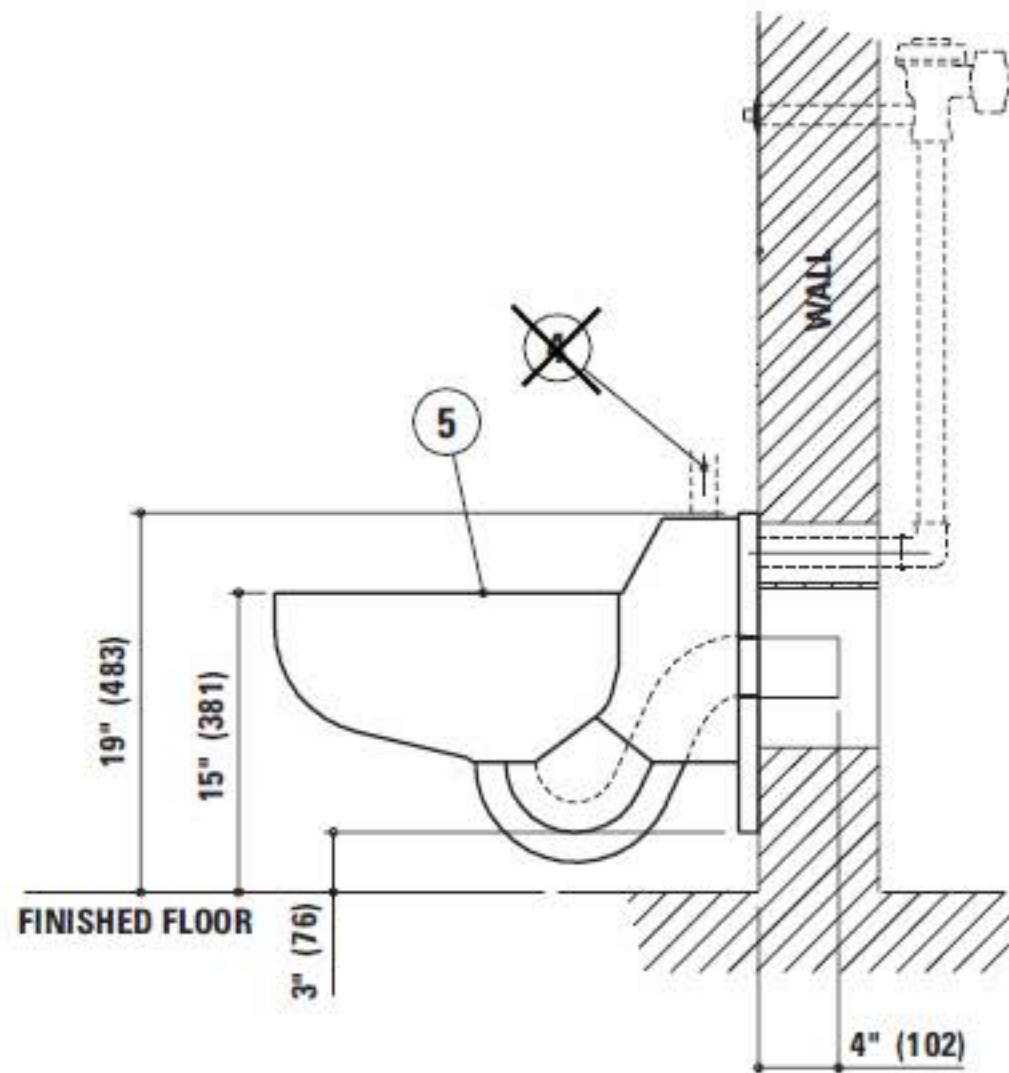


PlumbingSupply.com  
 Order Verification Form  
 Signature Required Below

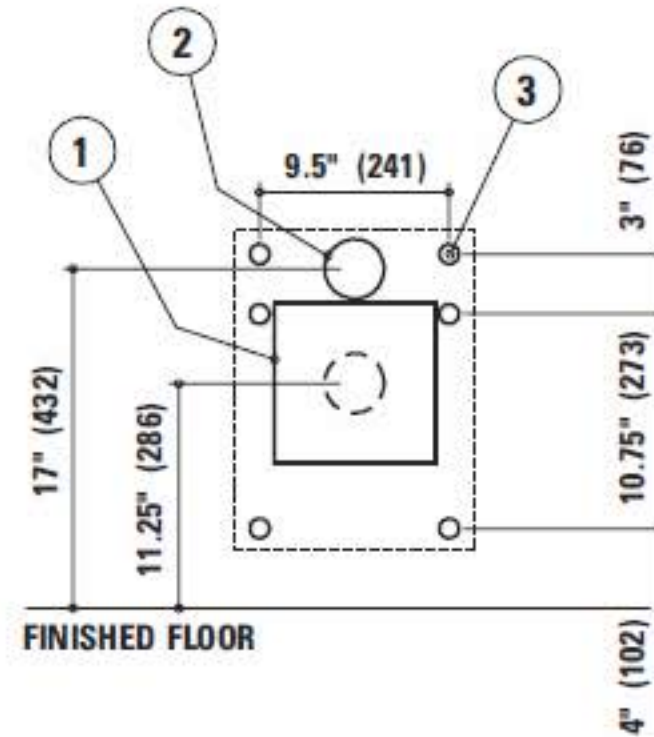
FIXTURE PLAN VIEW



FIXTURE SIDE VIEW



WALL ELEVATION VIEW (fixture side)



**ROUGH-IN INFORMATION**

- ① 8" x 8" (203mm x 203mm) wall opening for toilet waste connection
  - ② 3" (76mm) wall opening for 1 1/2" (38mm) FIPT flush supply inlet (model #4110)
  - ③ 1" (25mm) dia. wall openings for anchors (6)
  - ~~④ 1 1/2" (38mm) MIPT top supply inlet (model #4115)~~
  - ⑤ Mirror finish seat
- WITH HS - OPTION includes hinged solid plastic seat

Dear Customer,

Verification must be received before order can be entered for shipment.

Please sign to verify #4110-HS Back Supply Toilet meets your requirements.

X

Customer Signature

Please print name and return to:

PlumbingSupply Group LLC - FAX: 530-891-0654  
 EMAIL: sales@plumbingsupply.com