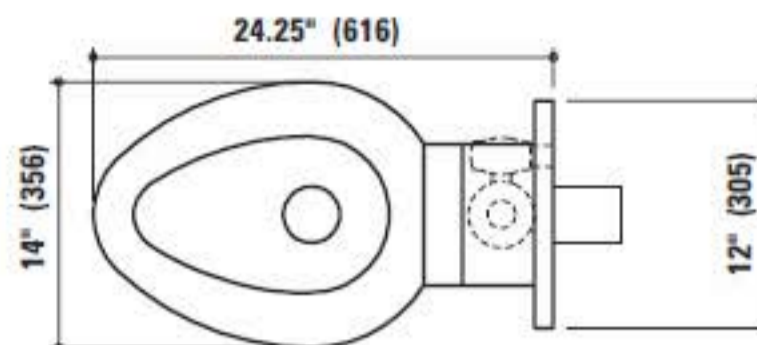
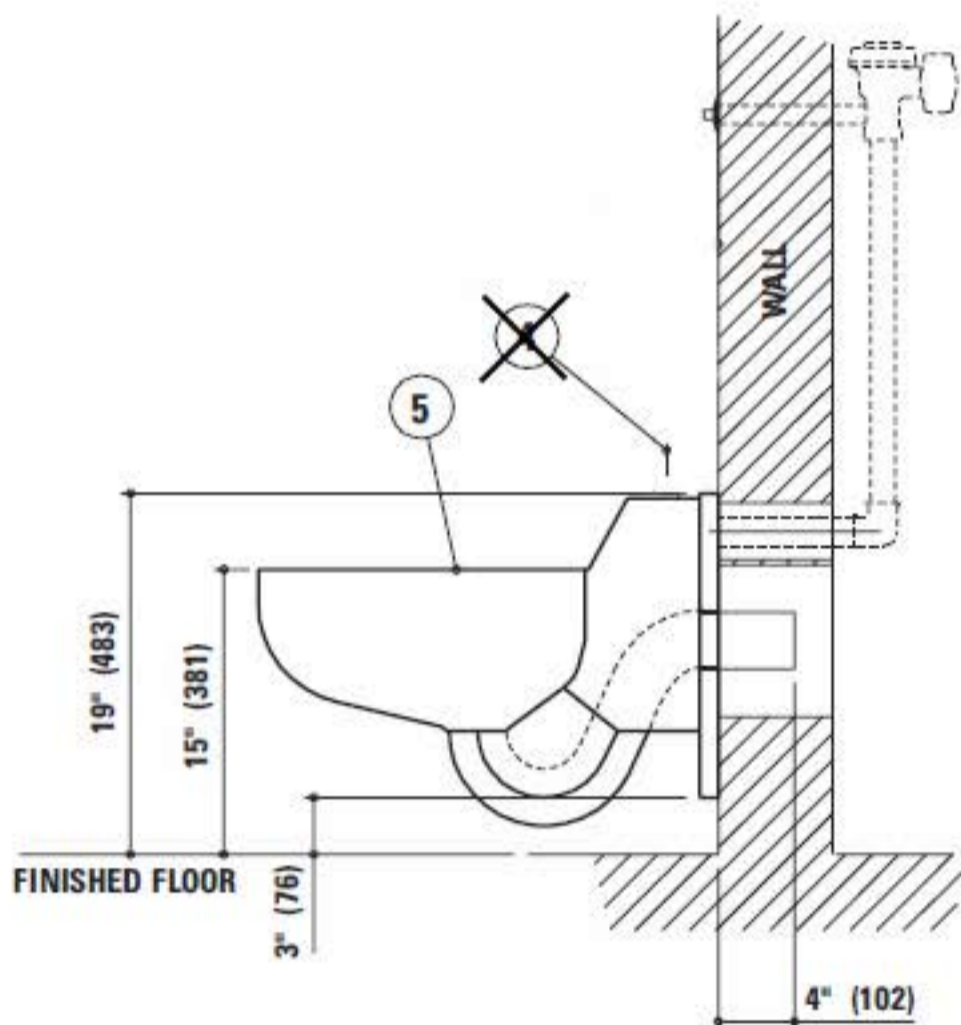


PlumbingSupply.com
Order Verification Form
Signature Required Below

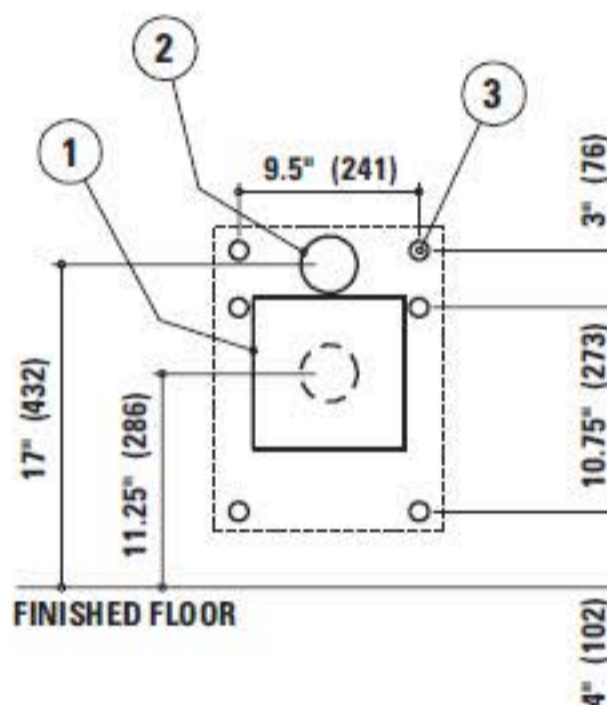
FIXTURE PLAN VIEW



FIXTURE SIDE VIEW



WALL ELEVATION VIEW (fixture side)



ROUGH-IN INFORMATION

- | | | |
|--|--|----------------------|
| ① 8" x 8" (203mm x 203mm) wall opening for toilet waste connection | ③ 1" (25mm) dia. wall openings for anchors (6) | ⑤ Mirror finish seat |
| ② 3" (76mm) wall opening for 1 1/2" (38mm) FIPT flush supply inlet (model #4110) | ④ 1 1/2" (38mm) MIPT top supply inlet (model #4115) | |

Dear Customer,
Verification must be received before order can be entered for shipment.
Please sign to verify #4110 Back Supply Toilet meets your requirements.

X

Customer Signature

Please print name and return to:

PlumbingSupply Group LLC - FAX: 530-891-0654

EMAIL: sales@plumbingsupply.com