

THANK YOU...

Thank you for purchasing the Invisia™ Accent Bar. We are confident that you will find the unique design and durable construction of this product to be of great assistance in your daily routine.

To fully enjoy your Invisia™ Accent Bar, please take a few moments to read these instructions. You should store these instructions in a safe place for future reference.

⚠ SAFETY CONSIDERATIONS

CAUTION: It is your responsibility to see that your Invisia™ Accent Bar is properly assembled, installed, and cared for. Failure to follow instructions in this manual could result in serious injury. Support rails can be slippery when wet - use this product with caution.

INVISIA™ ACCENT BAR INSTALLATION

The Invisia™ Accent Bar should only be installed in areas where the mounting surface is structurally sound. Strengthening modifications may be required (see page 3 for details). Should not be installed in fiberglass / acrylic shower enclosures with insufficient stiffness and strength. Should not be installed into metal studs. If you are not equipped to undertake the outlined work we recommend that you have your Invisia™ Accent Bar installed by a qualified contractor. **Suggested maximum user weight of support rail is 500lbs/227kg, however this rating is conditional upon suitable fasteners and supporting surface.**

WARRANTY

All Invisia™ Collection products are covered by a one year limited warranty with the exception of hand grips which are subject to normal wear. Buyer hereby indemnifies, agrees to hold harmless and defend the manufacturer/ distributor of the Invisia™ Collection from and against any and all liabilities, claims, (founded and unfounded), losses, damages, costs and expenses (including without limitation consequential damages and reasonable professional fees) resulting from buyers specification, application, or improper use of goods described hereon; buyers omission or neglect.

The manufacturer/ distributor of the Invisia™ Collection does not assume any liability for damage resulting from services performed by others or faulty installation, misuse or misapplication of goods.

The manufacturer/ distributor of the Invisia™ Collection shall not be liable for prospective profits or special, indirect, or consequential damages, or for the cost of any corrective work done without prior approval. Manufacturer/ distributor of the Invisia™ Collection total liability hereunder shall in no event exceed the purchase price of the goods specified hereon.

TOOLS REQUIRED

- Level
- Hammer
- Stud Finder
- Personal Protective Eyewear
- Carbide tip drill suitable for tile
- Protective blanket

FASTENERS: INSTALLATION & MAINTENANCE

The Invisia™ Accent Bar must be secured to the wall with all points fastened appropriately to structural wood (wood studs, reinforced wood framing, etc.). Inspect, or have inspected (and tighten if necessary) the screws on a monthly basis. See Page 3 for structural reinforcement suggestions.

**★ FULL MOUNTING
STRUCTURE ★
(RECOMMENDED)**

All mount points fasten into structural wood
(wood studs, reinforced wood framing, etc.)

#10 x 2" S/S Screw (into wood)

500lbs load capacity

TIPS FOR DRILLING INTO TILE

- Use carbide tipped masonry drill on ceramic, or consider a diamond tip drill for porcelain tile.
- If possible, drill a smaller pilot hole first.
- Be careful to prevent the drill from moving when you first start it rotating - use duct tape or a wood guide on the surface of the tile to hold the drill from walking sideways.
- A variable speed drill on slow is best to start the hole. Do not apply too much pressure when drilling. Do not use a hammer drill.

WATERPROOFING

We recommend that sealant be applied around the wall contact points for any products mounted in the shower. If not properly sealed, there is the potential for water to seep into the wall. This may cause the wood to rot, thus compromising the structure the support rail is attached to.

MOUNTING LOCATION

We strongly recommend that you give some thought as to the optimal location of your Invisia™ Accent Bar before installation. The following suggestions are offered for your consideration, however, it is recommended to consider advice from the appropriate healthcare professional for locating any support rail.

To determine the optimal location, we recommend holding the rail in place and walking through the motions of a transfer (sitting, standing, reaching, etc.). Recommended installation locations include: faucet, side or back wall of bathtub. Consider the following when determining the optimal mounting location:

1. If possible, move mounting location to match structure behind the wall (NOTE: product mounting holes are located on 16" centers to conveniently align with standard wall stud spacing as shown in **Figure 5**).
2. Avoid electrical / plumbing behind the wall.
3. Where possible, drill through tile - not through grout.

INVISIA™ ACCENT BAR INSTALLATION

Place a blanket down in the area that you will be installing the Invisia™ Accent Bar to protect the area from parts that may fall during installation. The proposed mounting location must be cleaned prior to installation.

A1. Mark the horizontal and vertical location of the Invisia™ Accent Bar.

A2. To gain access to the set screw, turn the flange cover such that the hole in it aligns with the set screw drive. Using supplied hex-key, back off set screw in the flanges so they can move in and out freely as shown in **Figure 2a and 2b**.

A3. The flange should be able to rotate freely around the rail stem. The orientation of the set screw hole should face downwards as shown in **Figure 3**. The graphics on the flange can be used for guidance (i.e. cloud pointing upwards, flower pointing downwards towards floor).

A4. On back of flange, peel off backing to expose adhesive side of rubber gasket washer to prepare it for wall positioning.

A5. With the flanges on the the rail stems (oriented as in step A3), push rail firmly against wall in marked location as shown in **Figure 4a**.

A6. Remove the rail as straight as possible as to not pull the flanges off from the wall as shown in **Figure 4b**. **NOTE:** The adhesive on the back of the gasket is not permanent.

A7. Use the holes on the flange as locating guides and mark with center punch. Drill a pilot holes using the appropriate drill bit for the fasteners. Fasten the flange to the wall with the appropriate fastener. **NOTE:** We recommend a minimum of 2 screws per flange.

A8. Place the flange covers onto the flanges, with the set screw hole facing downwards. If the flange cover seems loose around the flange, remove it and oval out the outer part until it fits snug around the flange o-ring.

A9. Place the rail stems thru the flange covers onto the flanges, and secure the rail by tightening the set screw with supplied hex key as shown in **Figure 5**. The rail will pull into the stems as the set screw is tightened.

NOTE: Perform a final tighten and inspection of all fasteners. Test the installation by vigorously pulling on the support rail of the Invisia™ Accent Bar.

A10. Install the rubber plugs into the flange covers. **NOTE:** When removing the rubber plug (to gain access to mounting screws), carefully pry off with small flat head screwdriver.

Your Invisia™ Accent Bar is now installed.

Figure 1.

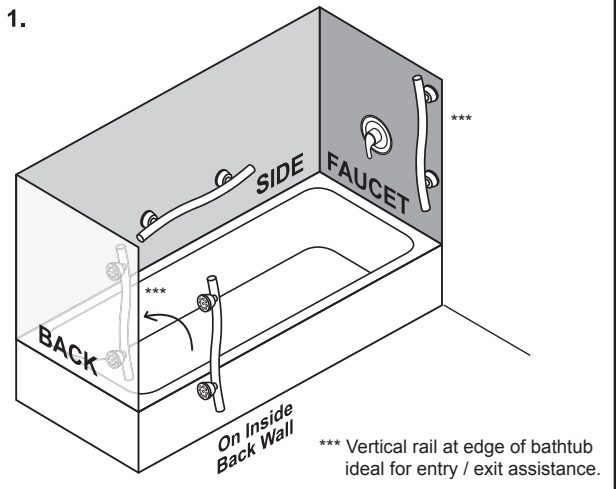


Figure 2a.

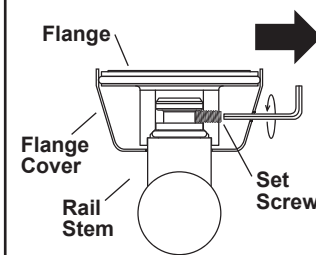


Figure 2b.

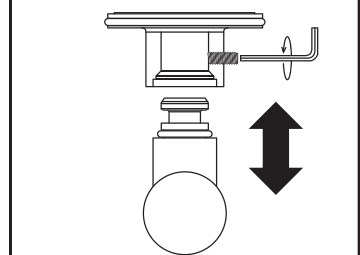
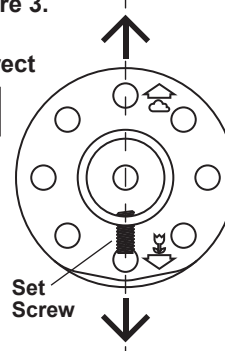


Figure 3.

Correct



Incorrect

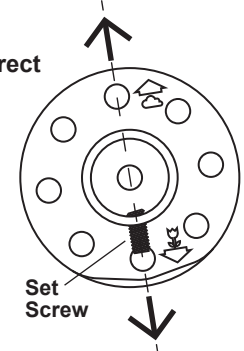


Figure 4a.

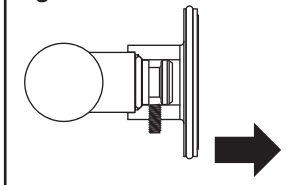


Figure 4b.

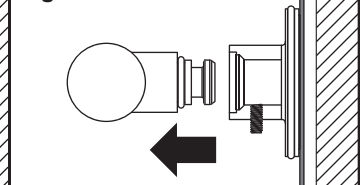
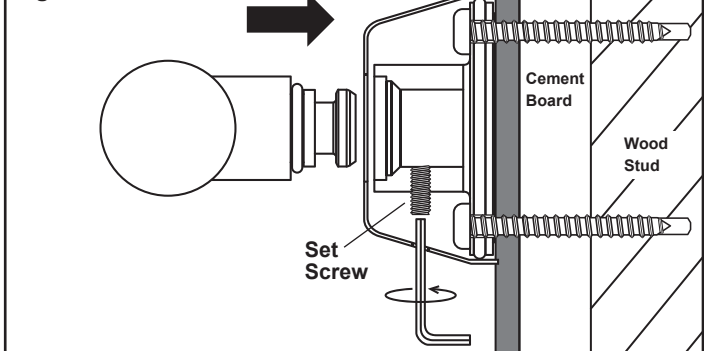


Figure 5.



TIPS FOR LOCATING A WOOD STUD

- For drywall surfaces, use a stud sensor to locate a stud.
- For tile surfaces, try a stud sensor to locate a stud. If no stud is found, measure 16" from a perpendicular wall. Drill a small hole in the grout to ensure the stud has been found. If there is no stud at this location, bend a piece of wire in a "L" shape and insert it through the hole. Spin the wire to determine exactly where the stud is located and mark its location. Patch all holes with silicone to keep moisture out of the wall.
- If there is access to the backside of the bathroom wall (i.e. through a closet), measure the stud location and transfer the measurements into the bath area.

STRUCTURAL REINFORCEMENT SUGGESTIONS

NOTE: Due to variances in local construction methods and materials used, details given below are suggestions only. Consult the appropriate local contractor for specific advice. For concrete walls, you may be able to install fasteners (such as a wedge anchor) directly into the concrete wall without modification.

If there is access to the backside of the bathroom wall (i.e. through a closet) and structural reinforcement is required, consider cutting a hole in this backside wall to allow access to the bathroom wall from behind (without having to remove / replace ceramic tiles).

1. Choose optimal mounting location of rail, including height (H) and side to side location (L) as shown in **Figure 1a**. Mark the height and location on the wall for future reference. **NOTE:** If accessing the bathroom wall from the backside, transfer the measurements for the support rail location to the backside wall as shown in **Figure 1b**.

2. Find wall support studs & cut hole in wall board to expose wall studs as shown in **Figure 2a**. Suggested hole size is height (A) of 18-24" (48-61cm) and width (B) corresponding to wall stud spacing. Expose half width of each stud to facilitate re-installation of wall board patch. **IMPORTANT: Avoid any utilities located in wall!**

3. Fabricate a support frame structure from suitable wood pieces as shown in **Figure 2b**. Support frame width (C) should fit snugly within wall studs. Support frame height (D) should be from 24-32" (61-81cm) high or more, depending on material and stiffness of wall studs. Locate cross member (E) to position in line with the center of the rail when rail is located at the height (H). Use a generous quantity of wood screws and glue to hold the support frame structure together as shown. See alternative to support frame as shown in **Figure 3**.

4. Insert support frame structure through hole in wall and secure uprights to wall studs using a generous amount of wood screws.

5. Complete the Invisia™ Accent Bar installation instructions on Page 2. Then, patch the wall cutout (if backside access to bathroom, consider making an access panel for future servicing) to match the surrounding wall as shown in **Figure 4**.

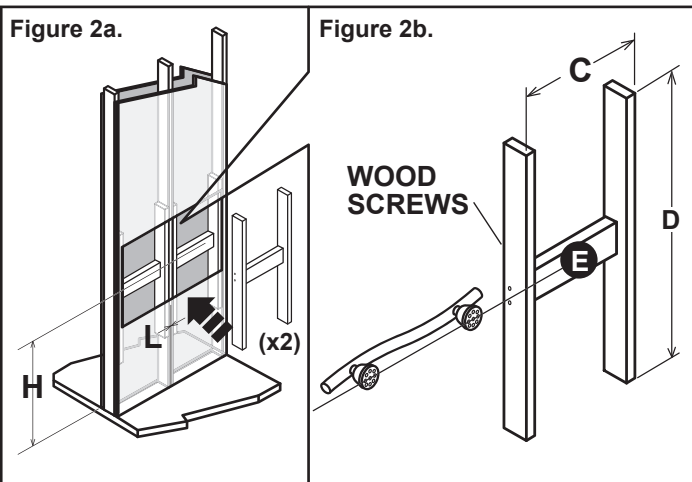
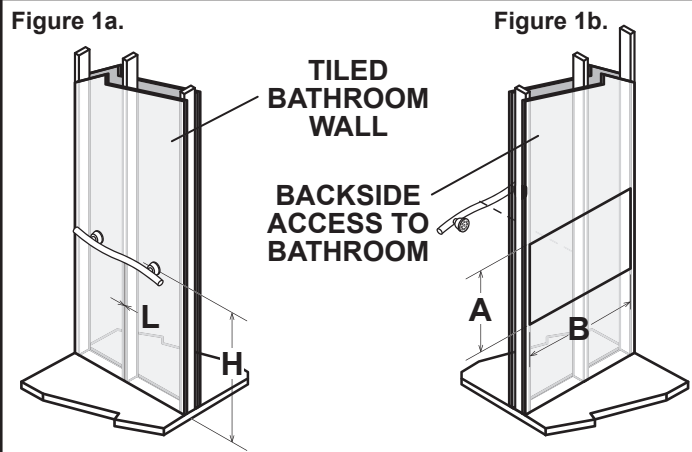
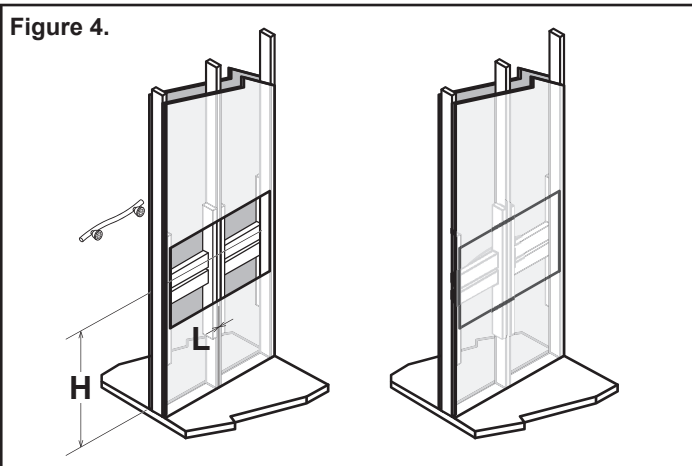
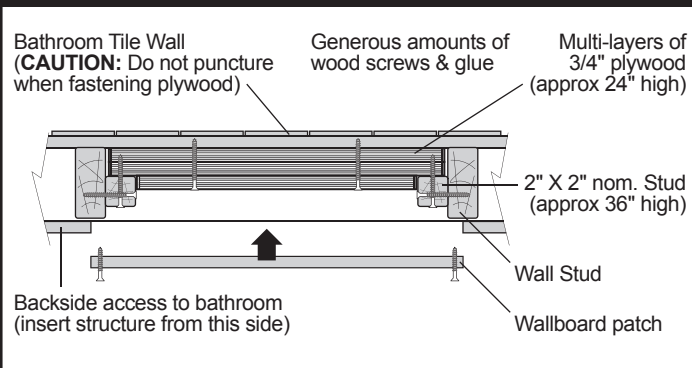
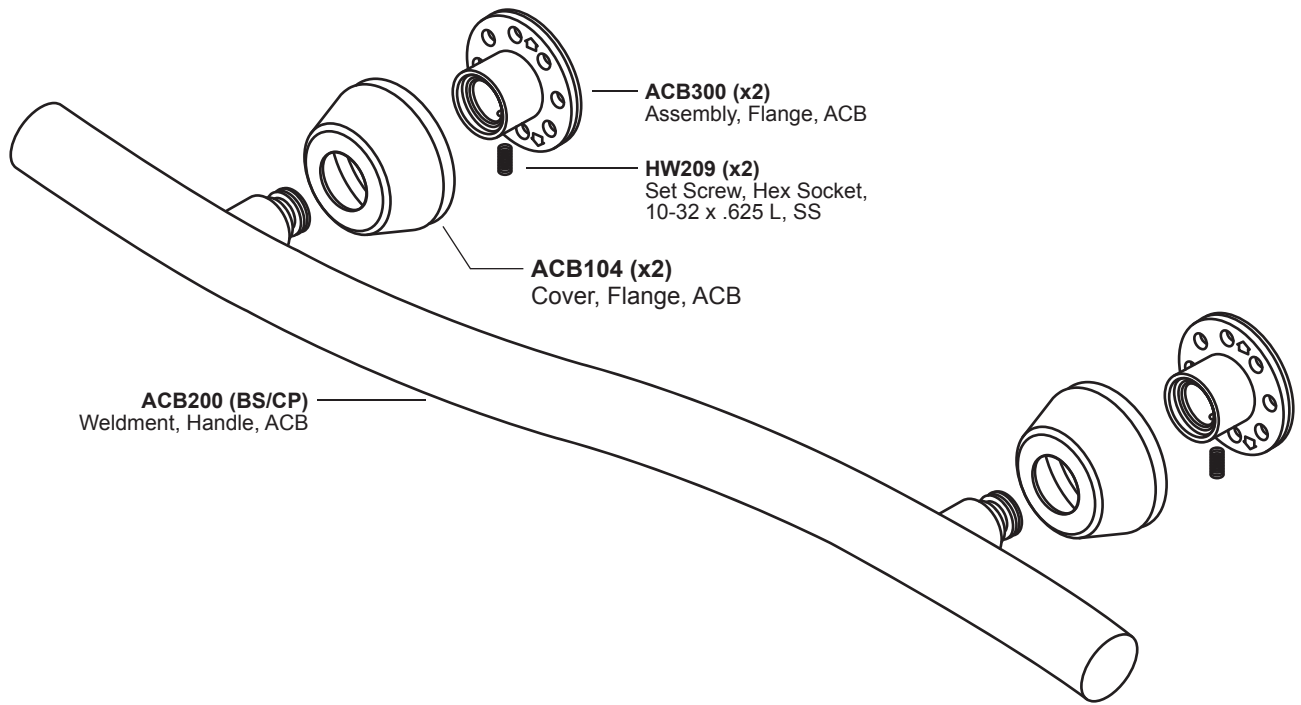


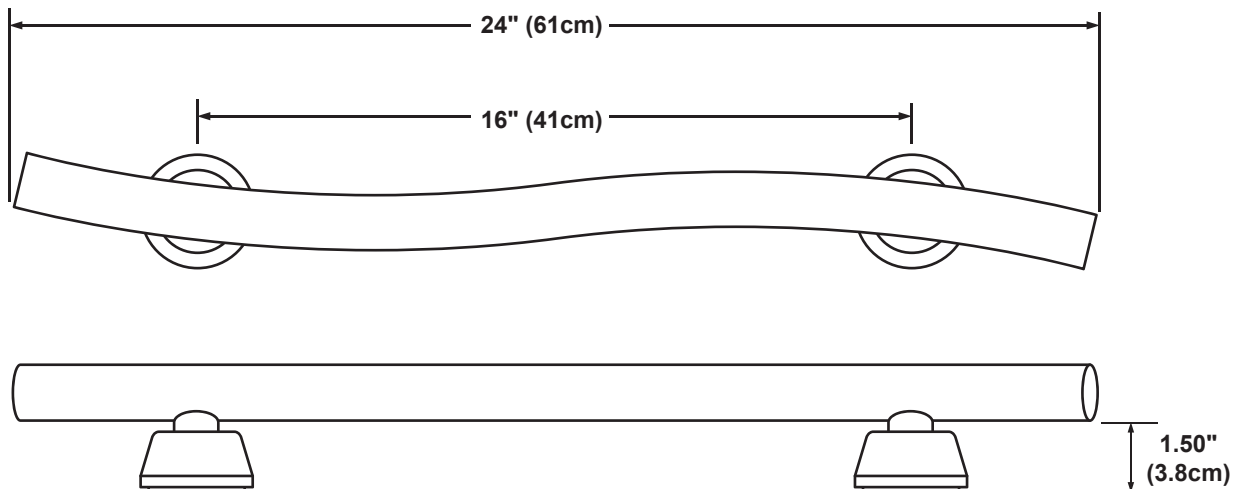
FIGURE 3: ALTERNATIVE TO SUPPORT FRAME - MULTI-LAYER PLYWOOD INSIDE WALL WITH WALLBOARD PATCH (TOP VIEW)



INVISIA™ ACCENT RING



DIMENSIONAL DRAWINGS



HARDWARE

HW173
Screw, PPHSMS, #10-12 x 2", S/S **x4**

HW300
Hex-Key, 3/32 in., Short Arm **x1**

ACB107
Plug, Rubber, ACB **x2**