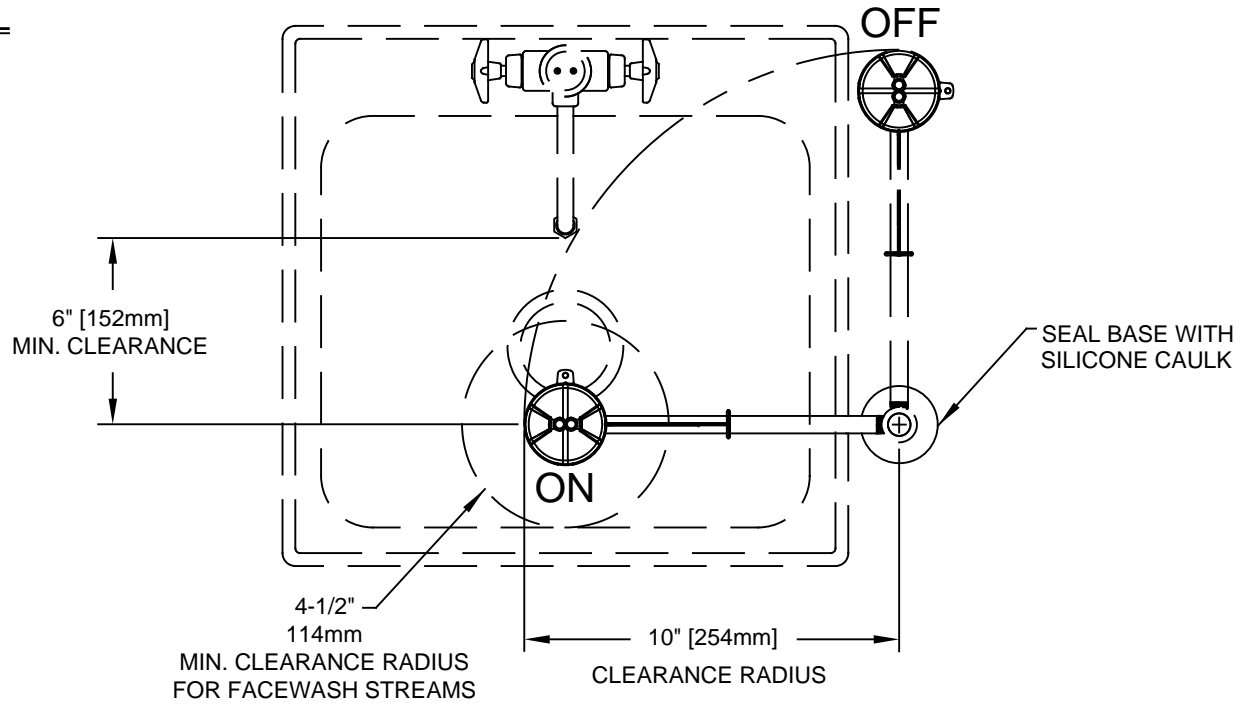
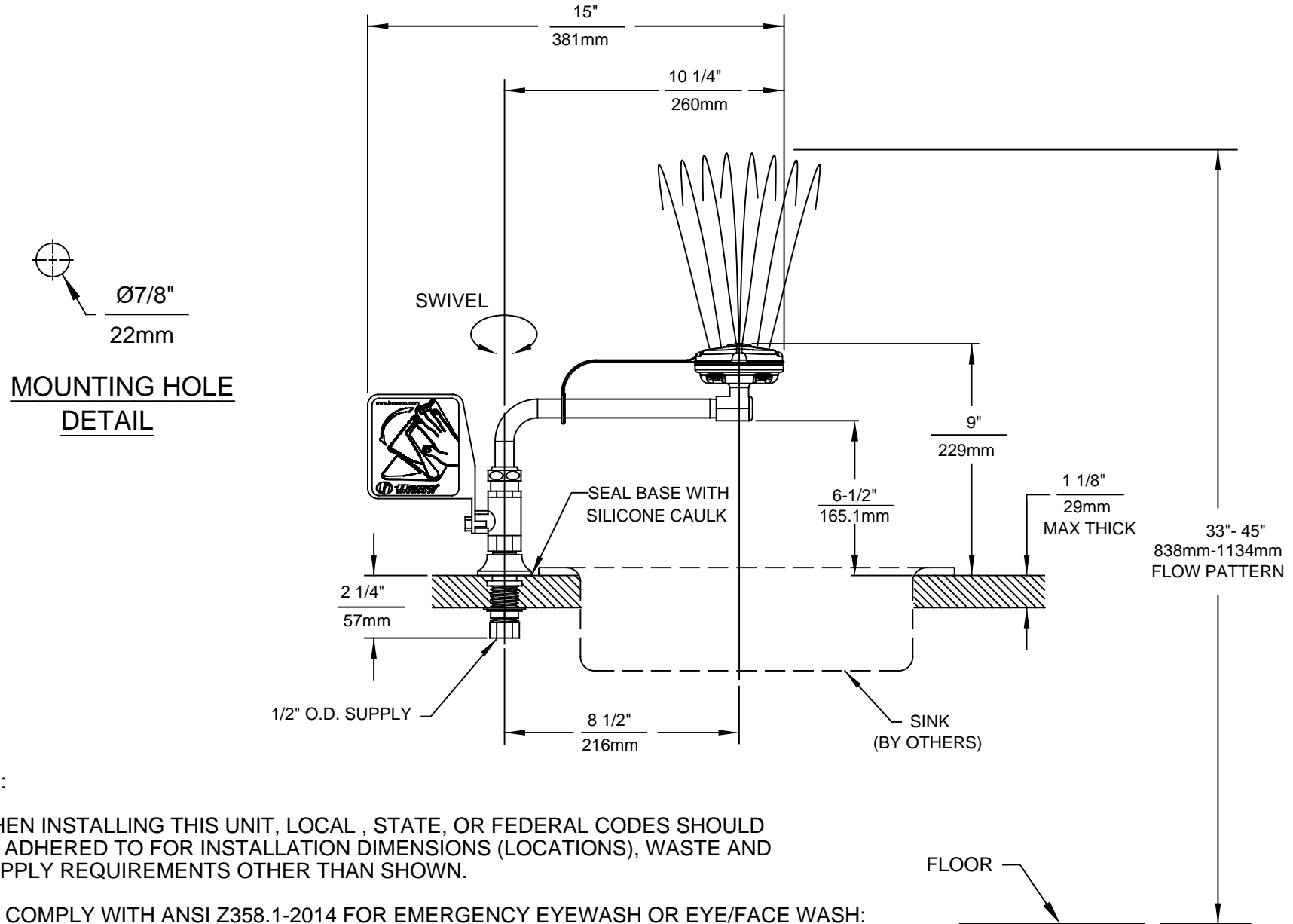


**MOUNTING HOLE
DETAIL**



- NOTES:**
1. WHEN INSTALLING THIS UNIT, LOCAL, STATE, OR FEDERAL CODES SHOULD BE ADHERED TO FOR INSTALLATION DIMENSIONS (LOCATIONS), WASTE AND SUPPLY REQUIREMENTS OTHER THAN SHOWN.
 2. TO COMPLY WITH ANSI Z358.1-2014 FOR EMERGENCY EYEWASH OR EYE/FACE WASH: EYEWASH OR EYE/FACE WASH SHALL BE POSITIONED SUCH THAT FLUSHING FLUID PATTERN IS NOT LESS THAN 33" (838mm) AND NO GREATER THAN 45" (1143mm) FROM SURFACE ON WHICH USER STANDS; AND 6.0" (153mm) MINIMUM FROM WALL OR NEAREST OBSTRUCTION.
 3. INSTALL UNIT SUCH THAT EYEWASH HEAD IS OVER SINK WHEN ACTIVATED.
 4. DIMENSIONS MAY VARY BY ±1/2" (12.7mm).

Haws		1455 KLEPPE LANE SPARKS, NEVADA 89431 (775) 359-4712 FAX (775) 359-7424 E-MAIL: HAWS@HAWSCO.COM WEBSITE: WWW.HAWSCO.COM	
ECN NO. REVISED PER BY:	MODEL(S)	PART NUMBER	0002080064.D
DRAWN: ECN: 5175 WVC	DATE: 09/07/91 WVC	REVISION	13
APPROVED: C. HAYES	DATE: 11/23/17	SCALE: 1:1	DRAWING TYPE: INSTALLATION
EV	DATE: 11/23/17	SCALE: 1:1	DRAWING TYPE: INSTALLATION
EV	DATE: 11/23/17	SCALE: 1:1	DRAWING TYPE: INSTALLATION



NOTES:

1. WHEN INSTALLING THIS UNIT, LOCAL, STATE, OR FEDERAL CODES SHOULD BE ADHERED TO FOR INSTALLATION DIMENSIONS (LOCATIONS), WASTE AND SUPPLY REQUIREMENTS OTHER THAN SHOWN.
2. TO COMPLY WITH ANSI Z358.1-2014 FOR EMERGENCY EYEWASH OR EYE/FACE WASH: EYEWASH OR EYE/FACE WASH SHALL BE POSITIONED SUCH THAT FLUSHING FLUID PATTERN IS NOT LESS THAN 33" (838mm) AND NO GREATER THAN 45" (1143mm) FROM SURFACE ON WHICH USER STANDS; AND 6.0" (153mm) MINIMUM FROM WALL OR NEAREST OBSTRUCTION.
3. DIMENSIONS MAY VARY BY $\pm 1/2"$ (13mm).

		1455 KLEPPE LANE SPARKS, NEVADA 89431 (775) 359-4712 FAX (775) 359-7424 E-MAIL: HAWS@HAWS.CO.COM WEBSITE: WWW.HAWS.CO.COM	
		ECN NO. REVISED PER BY: MODEL(S) ECN: 5175 VWC	7612LH LEFT HAND DECK MTD EYE/FACE WASH
DRAWN: C HAYES APPROVED: FV	DATE: 3/19/92 DATE: 11/23/17	CHKD.: VWC DATE: 11/23/17	SCALE: 1:1 DRAWING TYPE: INSTALLATION SIZE: A SHEET 1 OF 1