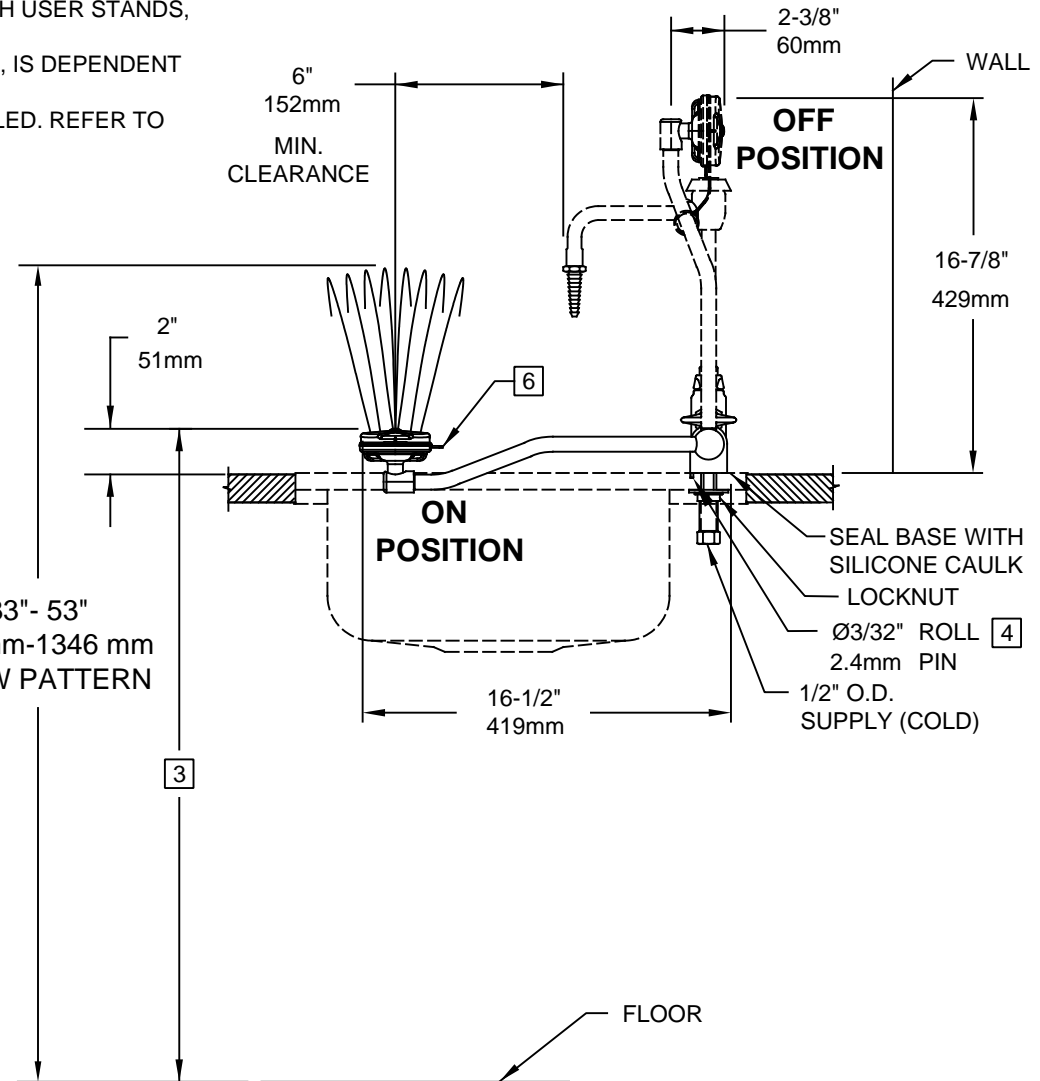
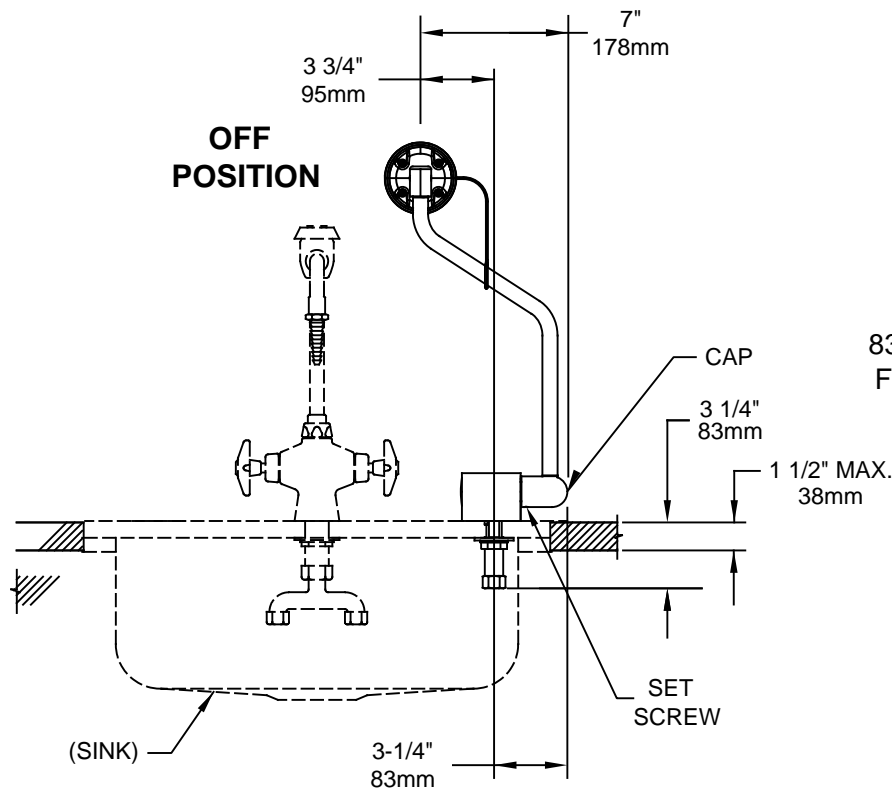


NOTES:

1. WHEN INSTALLING THIS UNIT, LOCAL, STATE, OR FEDERAL CODES SHOULD BE ADHERED TO FOR INSTALLATION DIMENSIONS (LOCATIONS), WASTE AND SUPPLY REQUIREMENTS OTHER THAN SHOWN.
2. TO COMPLY WITH ANSI Z358.1-2014 FOR EMERGENCY EYEWASH OR EYE/FACE WASH: EYEWASH OR EYE/FACE WASH SHALL BE POSITIONED SUCH THAT FLUSHING FLUID PATTERN IS NOT LESS THAN 33" (838mm), NO GREATER THAN 53" (1346mm) FROM SURFACE ON WHICH USER STANDS, AND 6.0" (153mm) MINIMUM FROM WALL OR NEAREST OBSTRUCTION.
3. HEIGHT IS DETERMINED BY WATER FLOW PATTERN HEIGHT SHOWN, WHICH IN TURN, IS DEPENDENT ON IN-LINE SUPPLY PRESSURE.
4. DRILL ONE Ø7/8" [22mm] HOLE AND TWO Ø5/32" HOLES WHERE UNIT IS TO BE INSTALLED. REFER TO MOUNTING HOLE DETAIL.
5. ASSEMBLE EYE/FACE WASH TO ARM; ORIENT TAB ON ASSEMBLY AWAY FROM USER.
6. DIMENSIONS MAY VARY BY ±1/2" (13 mm).



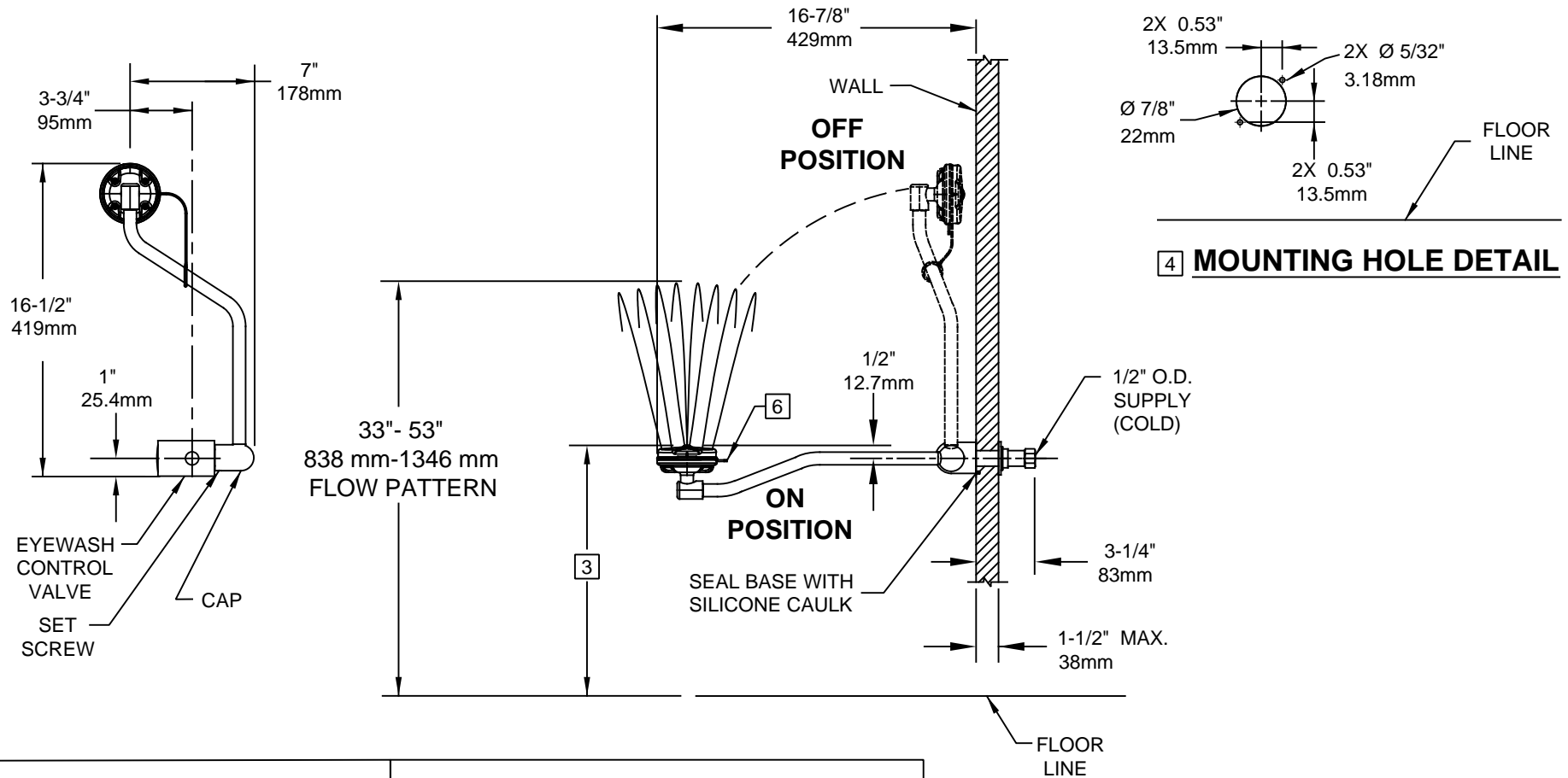
**7610 DECK MOUNTED CONFIGURATION**  
 (SEE SHEET 2 FOR 7610 DECK MOUNTED DETAIL)  
 (SEE SHEET 3 FOR 7610 WALL MOUNTED CONFIGURATION)



**Haws**<sup>®</sup>

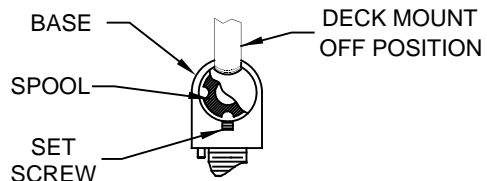
1455 KLEPPE LANE  
 SPARKS, NEVADA 89431  
 (775) 359-4712 FAX (775) 359-7424  
 E-MAIL: HAWS@HAWS.CO.COM  
 WEBSITE: WWW.HAWS.CO.COM

ECN NO. 2066	REVISED PER ECN: 5175	BY: VWC	MODEL(S)		PART NUMBER 0002080067.D
DRAWN: JF	DATE: 10/96	CHK'D: VWC	7610		REVISION 18
APPROVED: FV	DATE: 11/23/17		PULLDOWN EYE/FACE WASH	SCALE: 1:1	DRAWING TYPE: INSTALLATION
			SIZE: A	SHEET 1 OF 3	

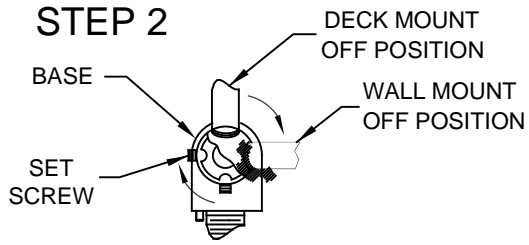


### CONVERT TO WALL MOUNT CONFIGURATION

#### STEP 1



#### STEP 2

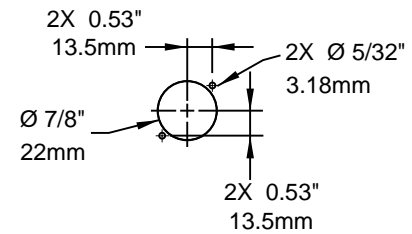
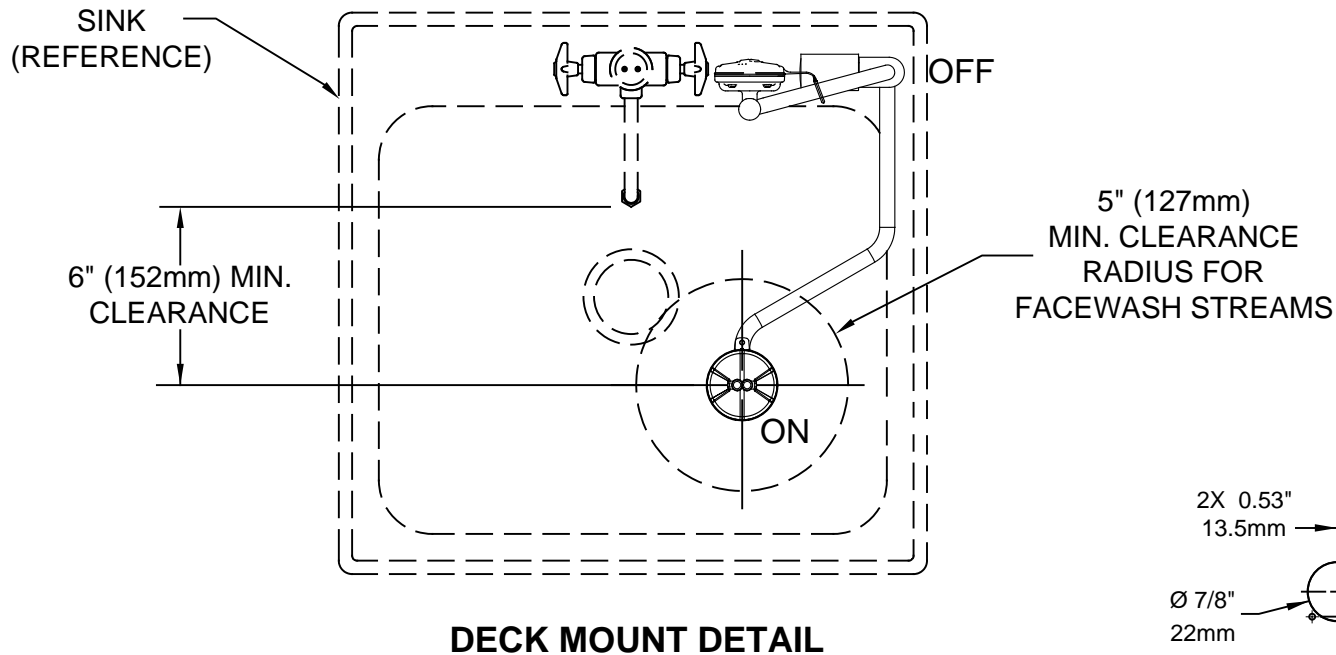


NOTE DEPTH OF SET SCREW PRIOR TO LOOSENING. LOOSEN SET SCREW AND ROTATE EYEWASH ARM 90° CLOCKWISE (AS SHOWN) WHILE MAKING SURE TO NOT ROTATE THE SPOOL. RE-TIGHTEN SET SCREW IN NEW POSITION. ENSURE SET SCREW IS PROPERLY SEATED IN INDENT. ENSURE SET SCREW IS TIGHT AND AT IT'S ORIGINAL DEPTH. ENSURE CORRECT ARM ORIENTATION BEFORE MOUNTING TO WALL. REFERENCE DRAWINGS AT RIGHT.

UNIT IS SHIPPED IN DECK MOUNT CONFIGURATION. TO CONVERT TO WALL MOUNT CONFIGURATION, POSITION ARM IN "DECK MOUNT OFF POSITION" AS ABOVE.

### 7610 WALL MOUNTED CONFIGURATION (SEE SHEET 1 FOR 7610 DECK MOUNTED CONFIGURATION) (SEE SHEET 2 FOR 7610 DECK MOUNTED DETAIL)

		1455 KLEPPE LANE SPARKS, NEVADA 89431 (775) 359-4712 FAX (775) 359-7424 E-MAIL: HAWS@HAWS.CO.COM WEBSITE: WWW.HAWS.CO.COM	
		ECN NO. 2066 DRAWN: JF APPROVED: FV	REVISED PER: ECN: 5175 DATE: 10/96 DATE: 11/23/17
PART NUMBER 0002080067.D REVISION 18			SCALE: 1:1 DRAWING TYPE: INSTALLATION SIZE: A SHEET 2 OF 3



**4 MOUNTING HOLE DETAIL**

**7610 DECK MOUNTED CONFIGURATION**  
 (SEE SHEET 1 FOR 7610 DECK MOUNTED CONFIGURATION)  
 (SEE SHEET 2 FOR 7610 WALL MOUNTED CONFIGURATION)

		1455 KLEPPE LANE SPARKS, NEVADA 89431 (775) 359-4712 FAX (775) 359-7424 E-MAIL: HAWS@HAWSCO.COM WEBSITE: WWW.HAWSCO.COM	
		ECN NO. 5113 DRAWN: CC APPROVED: FV	REVISED PER: ECN: 5175 DATE: 07/07/16 DATE: 11/23/17
PART NUMBER 0002080067.D			REVISION 18
SCALE: 1:1		DRAWING TYPE: INSTALLATION	SIZE: A SHEET 3 OF 3