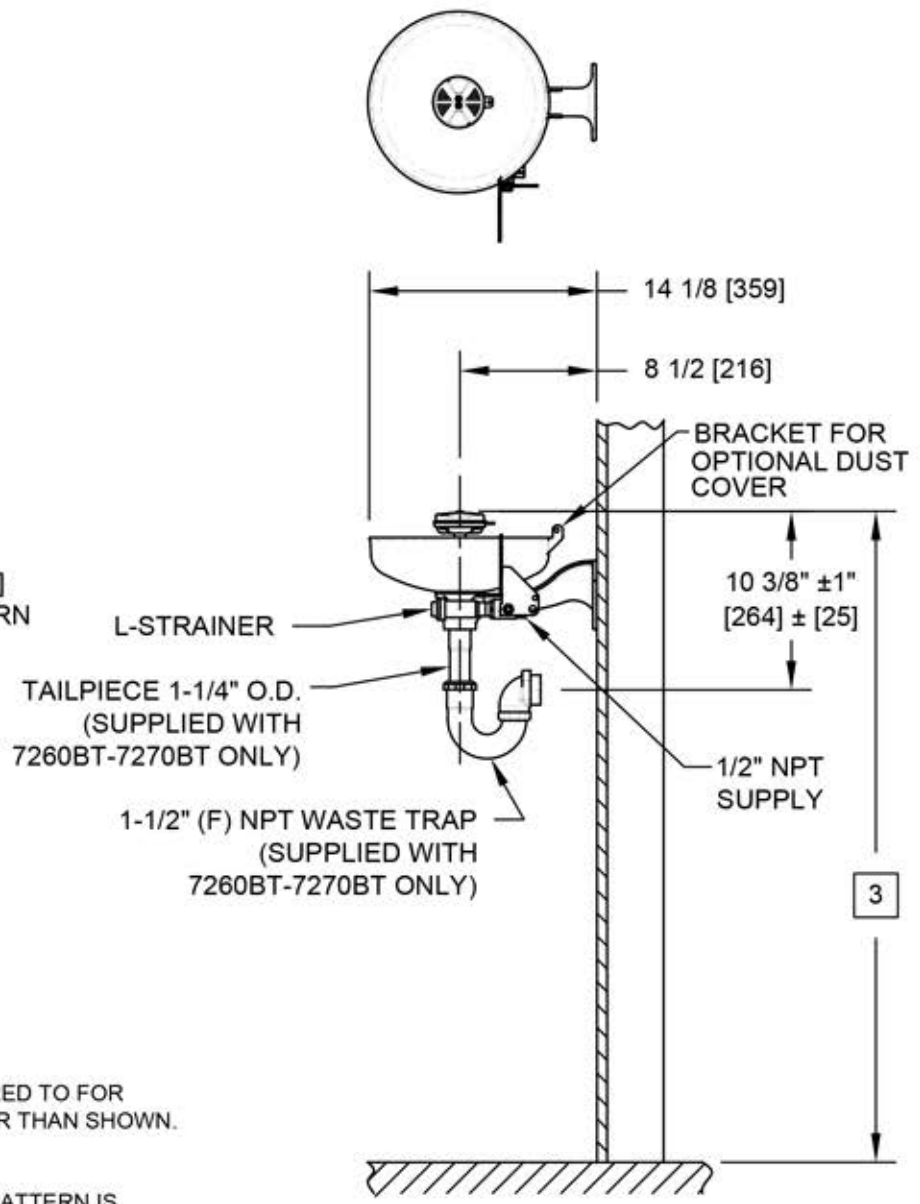


3X Ø5/16 [Ø8]
MOUNTING HOLES
(MOUNTING HARDWARE
NOT SUPPLIED)

WALL
MOUNT
DETAIL



- NOTES:
1. WHEN INSTALLING THIS UNIT, LOCAL, STATE, OR FEDERAL CODES SHOULD BE ADHERED TO FOR INSTALLATION DIMENSIONS (LOCATIONS), WASTE AND SUPPLY REQUIREMENTS OTHER THAN SHOWN.
 2. TO COMPLY WITH ANSI Z358.1-2014 FOR EMERGENCY EYEWASH OR EYE/FACE WASH: EYEWASH OR EYE/FACE WASH SHALL BE POSITIONED SUCH THAT FLUSHING FLUID PATTERN IS NOT LESS THAN 33" (838mm) AND NO GREATER THAN 53" (1346 mm) FROM SURFACE ON WHICH USER STANDS; AND 6.0" (153mm) MINIMUM FROM WALL OR NEAREST OBSTRUCTION.
 3. HEIGHT IS DETERMINED BY WATER FLOW PATTERN HEIGHT SHOWN, WHICH IN TURN, IS DEPENDENT ON IN-LINE SUPPLY PRESSURE.
 4. DIMENSIONS MAY VARY BY ±1/2" (13 mm).
 5. DIMENSIONS IN BRACKETS, IN DRAWING SPACE, ARE METRIC [mm].



1455 KLEPPE LANE
SPARKS, NEVADA 89431
(775) 359-4712 FAX (775) 359-7424
E-MAIL: HAWS@HAWS.CO.COM
WEBSITE: WWW.HAWS.CO.COM

ECN NO: 4161	REVISED PER: ECN: 5175	BY: VWC	MODEL(S) 7260B-7270B/7260BT-7270BT	PART NUMBER 0002080038.D
DRAWN: SLS	DATE: 5/1/08	CHK'D: VWC		REVISION 19
APPROVED: FV	DATE: 11/23/17	SCALE: 1:1	DRAWING TYPE: INSTALLATION	SIZE: A SHEET 1 OF 1