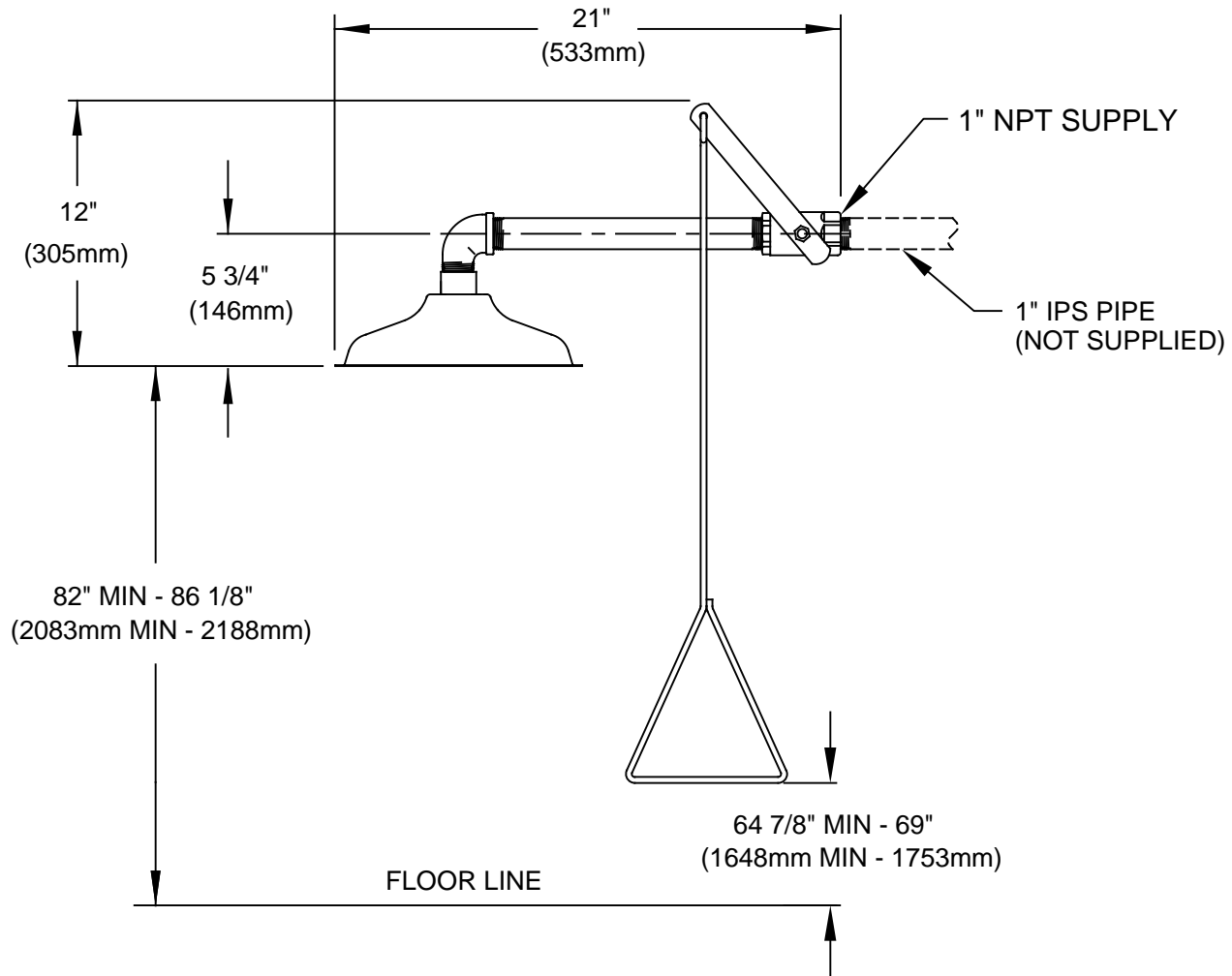


### HORIZONTAL SUPPLY (STANDARD)

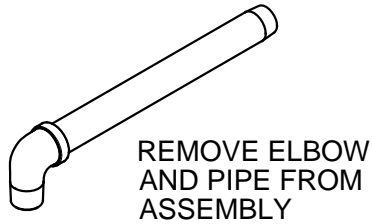


**NOTES:**

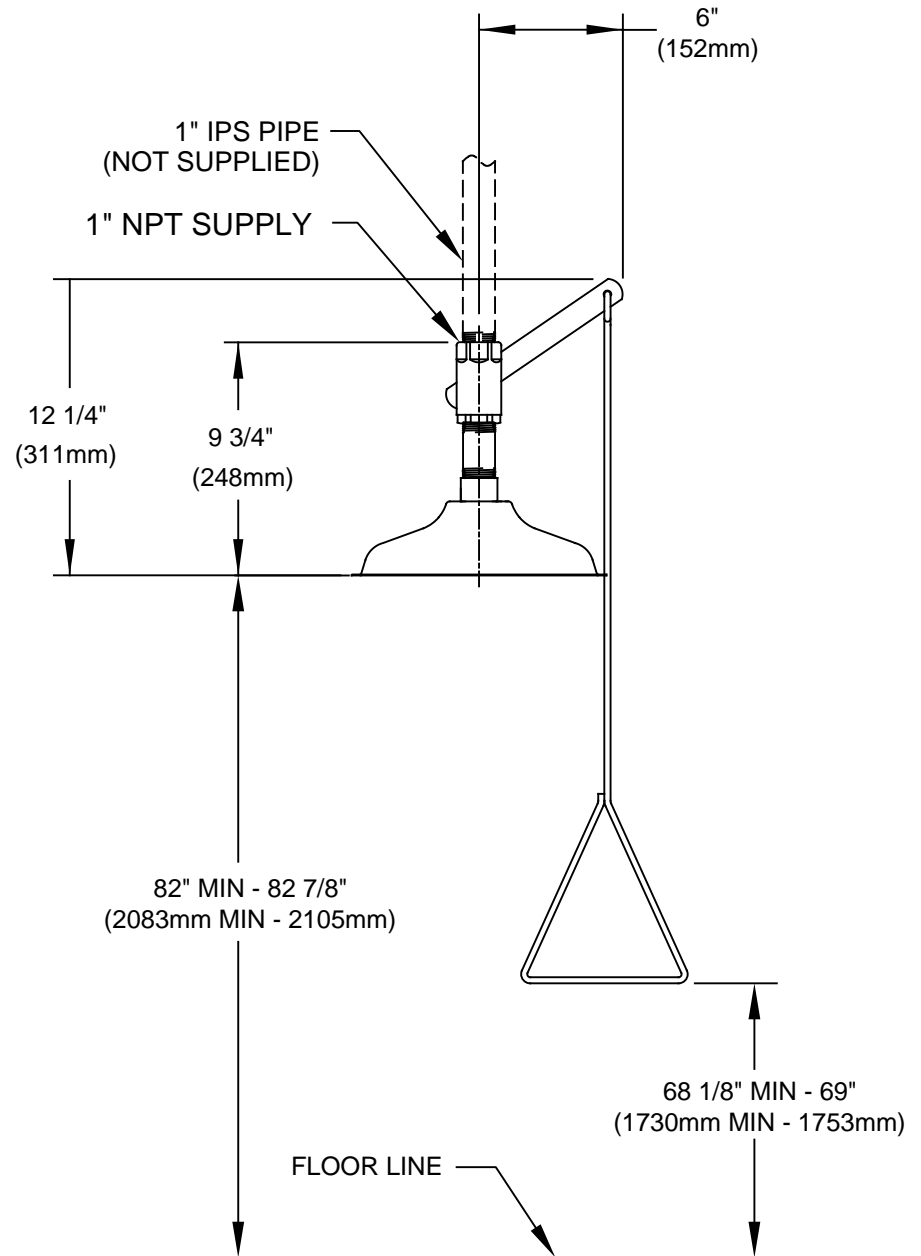
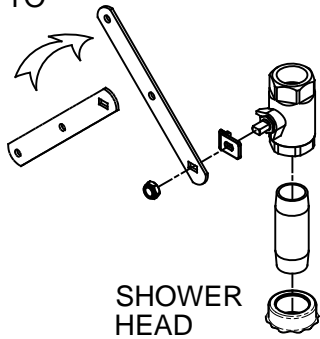
1. WHEN INSTALLING THIS UNIT, LOCAL , STATE, OR FEDERAL CODES SHOULD BE ADHERED TO FOR INSTALLATION DIMENSIONS (LOCATIONS), WASTE AND SUPPLY REQUIREMENTS OTHER THAN SHOWN.
2. TO COMPLY WITH ANSI Z358.1-2014 FOR EMERGENCY SHOWER EQUIPMENT:
  - SHOWER SHALL BE POSITIONED SUCH THAT SHOWER HEAD IS NO LESS THAN 82" (2083mm) AND NO GREATER THAN 96" (2438mm) FROM SURFACE ON WHICH USER STANDS.
  - SHOWER SPRAY PATTERN SHALL HAVE A MINIMUM DIAMETER OF 20" (508mm) AT 60" (1524mm) ABOVE SURFACE ON WHICH USER STANDS, AND CENTER OF SPRAY PATTERN SHALL BE LOCATED NO LESS THAN 16" (406mm) FROM NEAREST OBSTRUCTION.
3. DIMENSIONS MAY VARY ±1/2" (13mm).

		1455 KLEPPE LANE SPARKS, NEVADA 89431 (775) 359-4712 FAX (775) 359-7424 E-MAIL: HAWS@HAWS.CO.COM WEBSITE: WWW.HAWS.CO.COM	
		ECN NO. REVISED PER BY: ECN: 5279 VWC	MODEL(S)  8123 EMERGENCY SHOWER
DRAWN: TRF DATE: 5/4/91	CHKD.: VWC	APPROVED: FV DATE: 02/16/18	SCALE: NA DRAWING TYPE: INSTALLATION SIZE: A SHEET 1 OF 2

**FOR VERTICAL SUPPLY  
(RECONFIGURE AS SHOWN)**



REMOVE  
HANDLE, FLIP  
COMPLETELY TO  
OTHER SIDE.  
REATTACH.



**NOTES:**

1. WHEN INSTALLING THIS UNIT, LOCAL, STATE, OR FEDERAL CODES SHOULD BE ADHERED TO FOR INSTALLATION DIMENSIONS (LOCATIONS), WASTE AND SUPPLY REQUIREMENTS OTHER THAN SHOWN.
2. TO COMPLY WITH ANSI Z358.1-2014 FOR EMERGENCY SHOWER EQUIPMENT:
  - SHOWER SHALL BE POSITIONED SUCH THAT SHOWER HEAD IS NO LESS THAN 82" (2083mm) AND NO GREATER THAN 96" (2438mm) FROM SURFACE ON WHICH USER STANDS.
  - SHOWER SPRAY PATTERN SHALL HAVE A MINIMUM DIAMETER OF 20" (508mm) AT 60" (1524mm) ABOVE SURFACE ON WHICH USER STANDS, AND CENTER OF SPRAY PATTERN SHALL BE LOCATED NO LESS THAN 16" (406mm) FROM NEAREST OBSTRUCTION.
3. DIMENSIONS MAY VARY BY ±1/2" (13 mm).

		<b>T&amp;S BRASS AND BRONZE WORKS, INC.</b> 2 Saddleback Cove · P.O. Box 1088 · Travelers Rest, SC 29690		
				<b>RELIABILITY BUILT IN<sup>SM</sup></b>
ECN NO.	REVISED PER	BY:	MODEL(S)	PART NUMBER
	ECN: 5279	VWC		0002080120.D
DRAWN:	DATE:	CHKD.:	8123 <b>EMERGENCY SHOWER</b>	REVISION
TRF	5/4/91	VWC		14
APPROVED:	DATE:	SCALE:	DRAWING TYPE:	SIZE:
FV	02/16/18	NA	INSTALLATION	A
			SHEET	2 OF 2