

# OVL-II™ ESR-GRN-VR

## GreenSpec® Listed, High Efficiency, OVL-II™ Barrier-Free Bi-Level Cooler

### ELECTRICAL DATA

Junction box for a (3) wire 10 AMP branch circuit. Standard 120 volt, 60 HZ, single phase.

### WALL OPENING

**IMPORTANT:** It is necessary to create a wall opening 37 1/2" W x 37 3/4" H and 4 1/2" above the floor line.

### MOUNTING INSTRUCTIONS

Refer to rough-in for location of plumbing and electrical sources. The support frame is to be installed first. The shelf for the water chiller should be assembled to the wall frame, and then place chiller into position. Hang upper panel to hanger on frame. Fountains are to be attached to panel and wall frame. Water service lines, waste lines and electrical are assembled as required. The bottom panel is attached last, after a final check for leaks and correct functions of fountains and chiller. (For details see the installation instructions.)

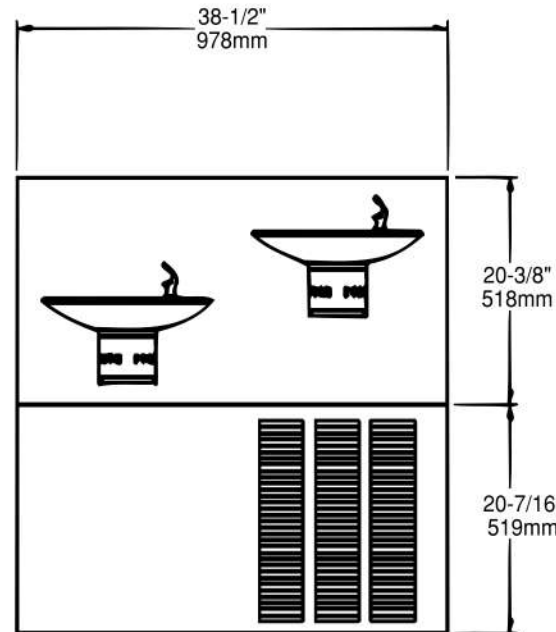
**Installation requires trap to be installed in wall. Trap and service stop not included.**

### OPERATING PRESSURES:

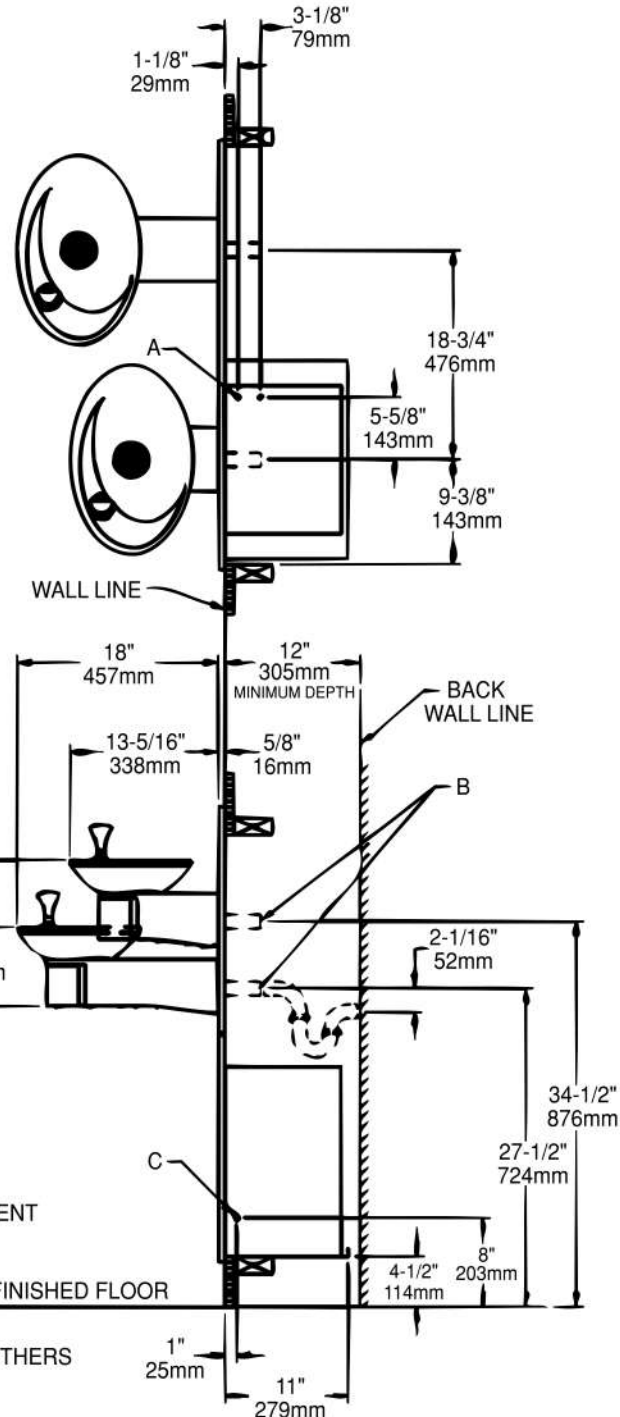
Supply water - 105 psi maximum

Minimum 40 psi supply line pressure required in special circumstances when both sides of bilevel are in use simultaneously to ensure adequate stream height. Use of water filter in this situation is not recommended.

### FRONT VIEW



### TOP & SIDE VIEWS



### LEGEND

A = 3/8" O D TUBE CONNECT (CHILLER WATER INLET) SHUT OFF VALVE BY OTHERS

B = 1-1/4" WASTE TUBE (ELBOW & TRAP NOT PROVIDED)

C = ELECTRICAL INLET