

Halsey Taylor

SPECIFICATIONS

Halsey Taylor Endura II Outdoor HydroBoost Bottle Filling Station Wall Mount Non-Filtered Non-Refrigerated Freeze Resistant Model 4405BFFRK

MOUNTING INSTRUCTIONS and PLUMBING CONNECTIONS

Refer to diagrams for plumbing rough-in. This fountain is to be mounted on a smooth, flat finished wall surface with adequate support.

Note: Wall mounting structure must be capable of supporting a 300 lb. load minimum on fountain. To secure unit, use 3/8" minimum fasteners (not provided). Water service line and waste line are to be assembled as required. Final check for leaks and correct functions of fountain should be made. (For details see the installation instructions.)

The Freeze-Resistant package must be mounted on an interior wall in a heated area. (See details in the installation instructions.)

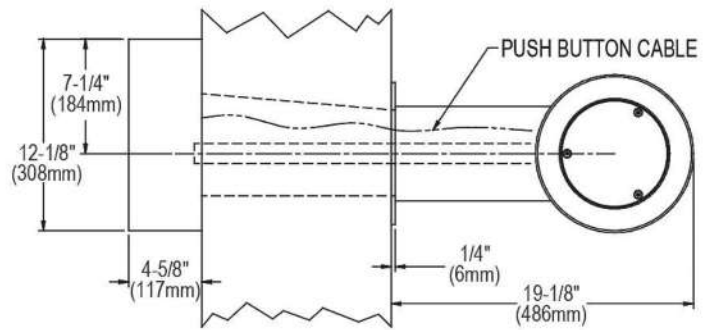
Installation requires trap to be installed in wall. A service supply stop must be installed at the fountain inlet line. Trap and service stop not included.

Caution – Fountain must be securely bolted to wall.

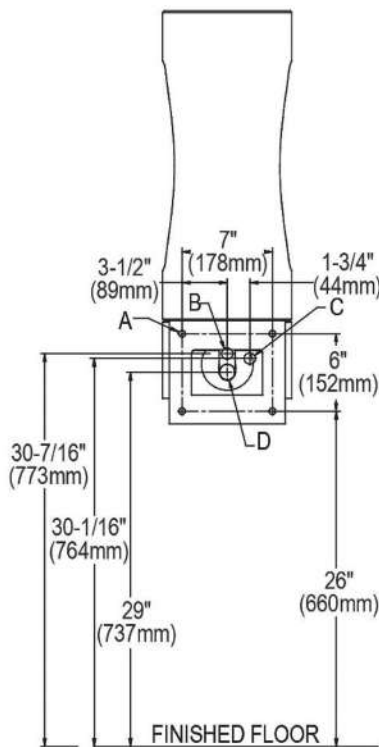
NOTE: For wall support required locations see installation instructions provided with fountain.

OPERATING PRESSURES:

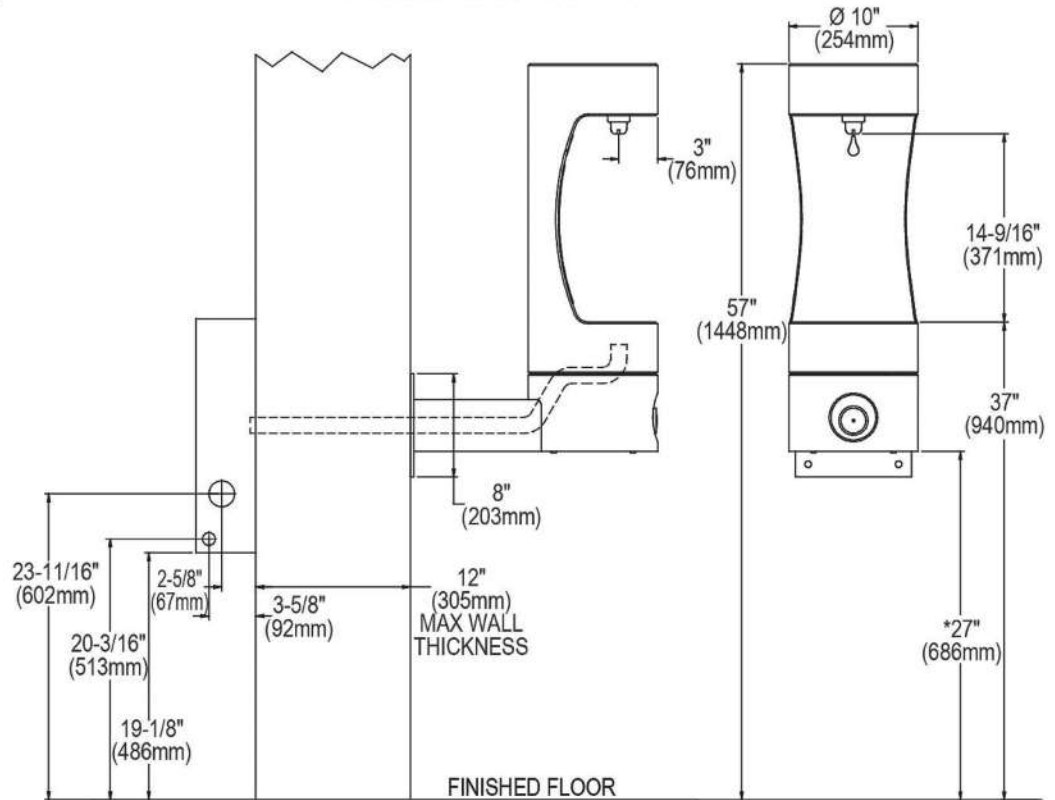
Supply water 20 – 105 psi maximum **TOP VIEW**



MOUNTING BOLT & ACCESS HOLE LOCATION



SIDE & FRONT VIEWS



Legend

- A = Mounting screw or bolt locations.
- B = 7/8"Ø (22mm) Hole for water supply tube.
- C = 7/8"Ø (22mm) Hole for operating cable.
- D = 2"Ø (51mm) Hole for waste line.

* ADA Requirement

In keeping with our policy of continuing product improvement, Halsey Taylor reserves the right to change product specifications without notice. Please visit Halseytaylor.com for the most current version of Halsey Taylor product specification sheets. This specification describes a Halsey Taylor product with design, quality, and functional benefits to the user. When making a comparison of other producers' offerings, be certain these features are not overlooked.