

HTICF

Ice Chilled Drinking Fountain

MOUNTING INSTRUCTIONS and PLUMBING CONNECTIONS

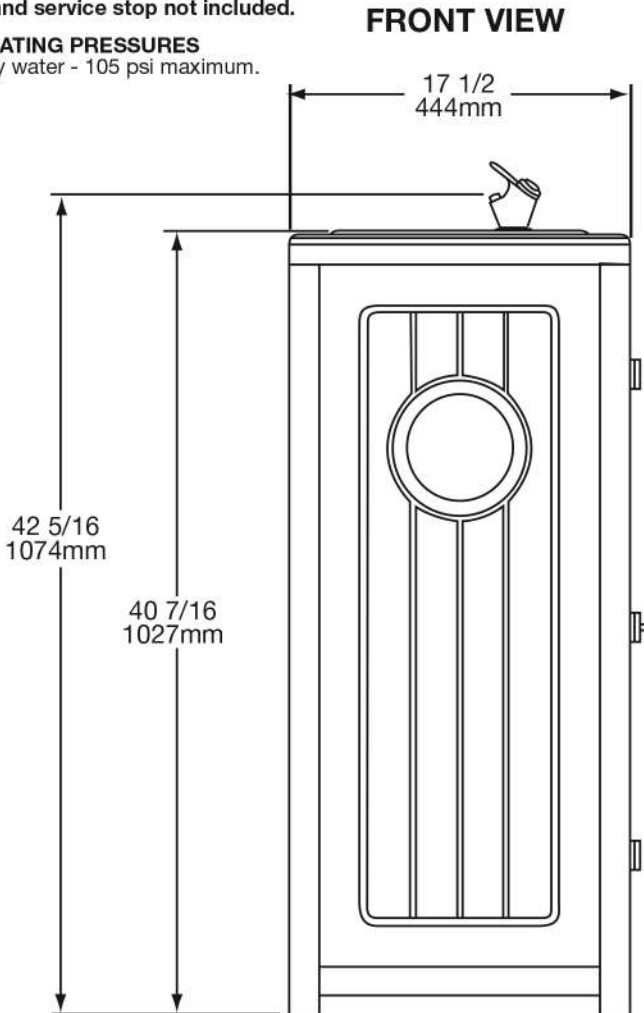
Provide solid, well-drained level surface to mount fountain (concrete pad optional). One 3/8 inch mounting bolt (included) should be attached securely to fountain base and mounting surface as per instructions with hold down kit included with fountain. Hold down kit contains one mounting bolt (3/8" L x 1/2" D) and one brace. (Refer to rough-in diagram).

Locate and install plumbing through ground as required. NOTE: Fountain is not furnished with service valve. Assemble mounting brackets to pedestal base with bolts provided. Position pedestal over plumbing and secure base to anchor bolts. Open cabinet door and connect water supply. Turn on water supply and check for leaks. Stream height is factory set at 45-50 psi. If water pressure varies greatly from this, adjust automatic stream regulator to provide drinking stream approximately 1 1/2" above projector guard.

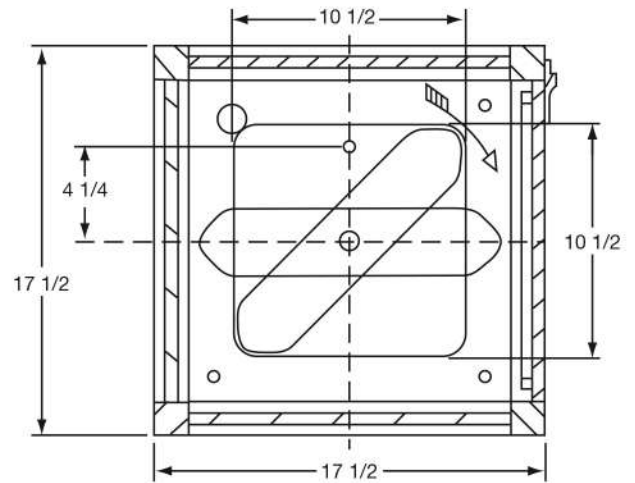
Trap and service stop not included.

OPERATING PRESSURES

Supply water - 105 psi maximum.



FOUNTAIN BASE/ HOLD DOWN KIT



SIDE VIEW

