

4520-68 (30"), 4521-68 (36")

Cast Iron Pedestal Fountains

MOUNTING INSTRUCTIONS

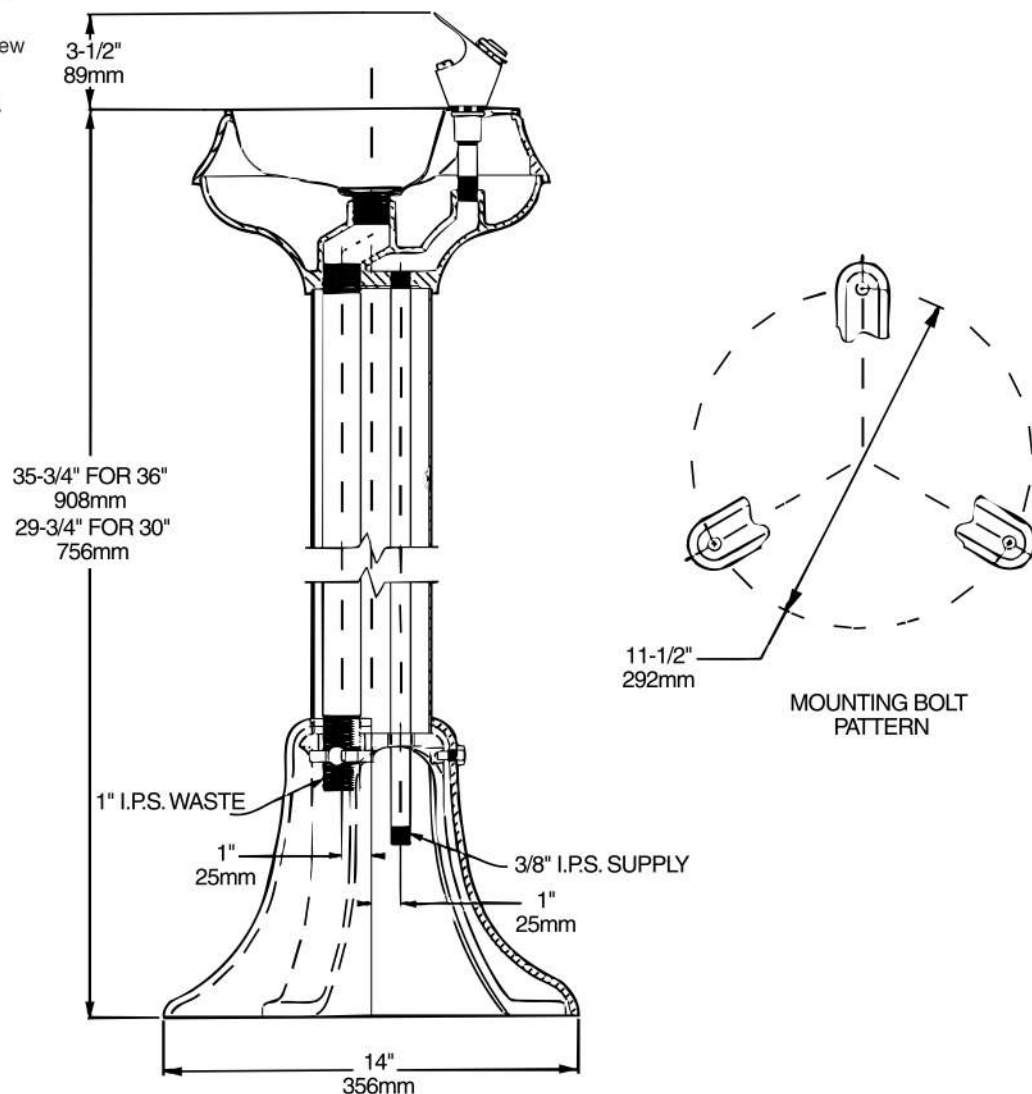
- Provide solid, well-drained surface to mount fountain.
- Locate and install plumbing through ground as shown in rough-in.
Note: Fountain is not furnished with service valve.
- Locate three tripod mounting holes as shown on rough-in. Mounting bolts not furnished – $\frac{7}{16}$ " diameter holes provided in tripod.
- Remove set screw in side of tripod cover and raise cover to aid in positioning fountain over mounting holes. Support cover with blocking while making plumbing connections.
- Use unions to connect supply and waste lines.
- Anchor tripod to ground.
- Turn on water supply and check for water leaks.
- Lower tripod cover, align hole for set screw and tighten set screw into leg of tripod.
- Stream height is factory set at 45-50 psi.

Trap and service stop not included.

OPERATING PRESSURES:

Supply water- 20 psi minimum to 105 psi maximum.

4520-68 / 4521-68



Halsey Taylor®