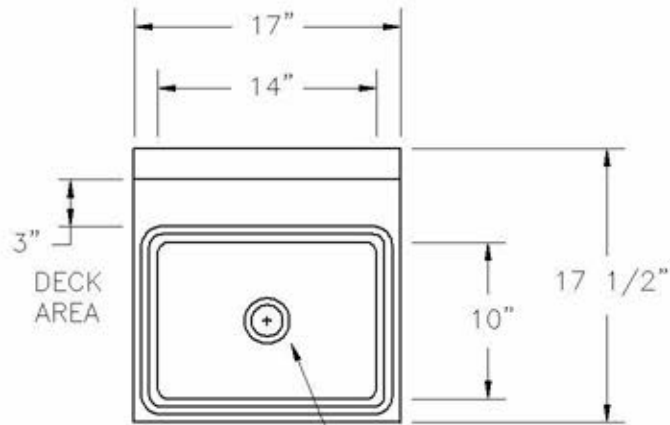




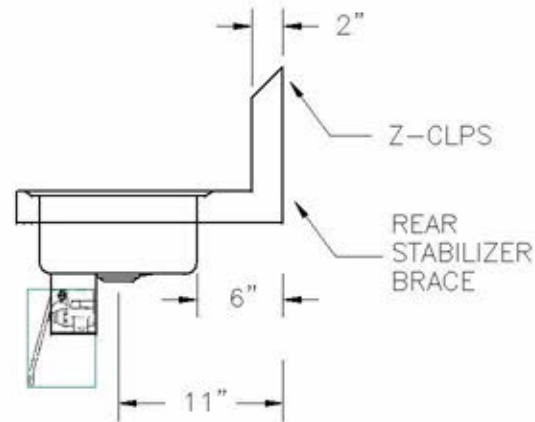
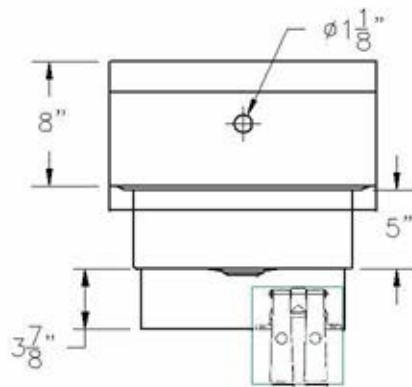
TRUE GAUGE™



INCLUDES:

- FA-300 KNEE CONTROL PKG:
- DUAL PEDAL KNEE CONTROL,
- GOOSENECK SPOUT BASE,
- KNEE CONTROL BRACKET

2" DIA. DIE-STAMPED DRAIN OPENING
 WA-150: 1-1/2" IPS BASKET DRAIN PROVIDED



WILLS POINT, TEXAS

TITLE	CLIENT	REV	MATERIAL	DRAWN BY
		SS		
H60-110W		DWG NO.	16GA T304	
		SIZE		
		A		
		SCALE		
		DATE		
<input type="checkbox"/> NON-RETURNABLE				
<input type="checkbox"/> SIGNATURE REQUIRED				