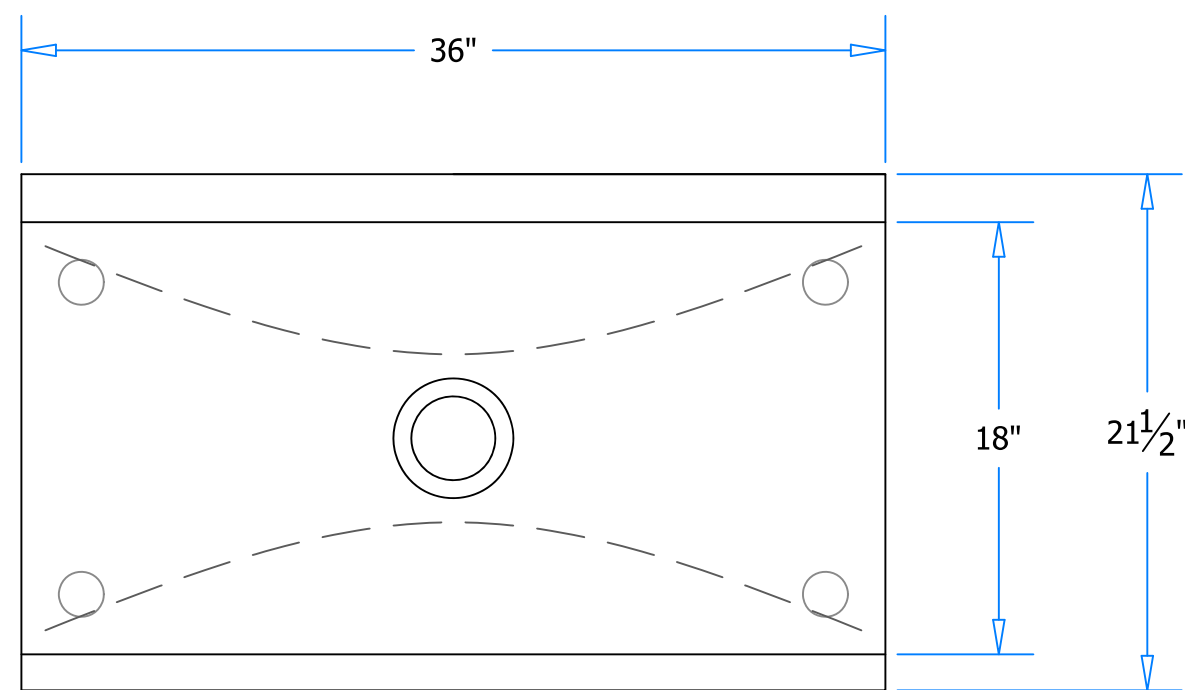
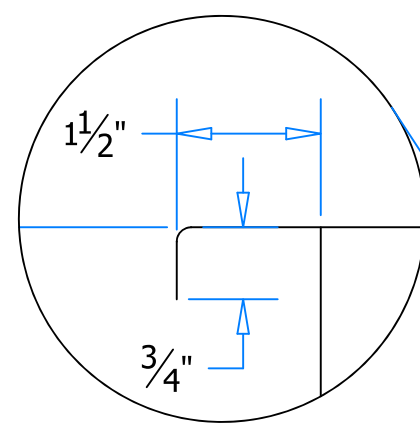


# COVID-19 Emergency Response Jobsite Hand Wash & Decontamination Sink



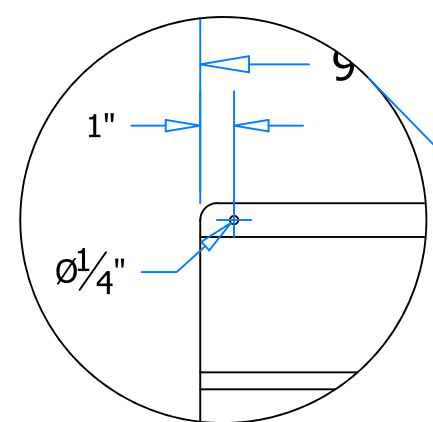
PLAN VIEW

SCALE 1-1/2"=1'0"



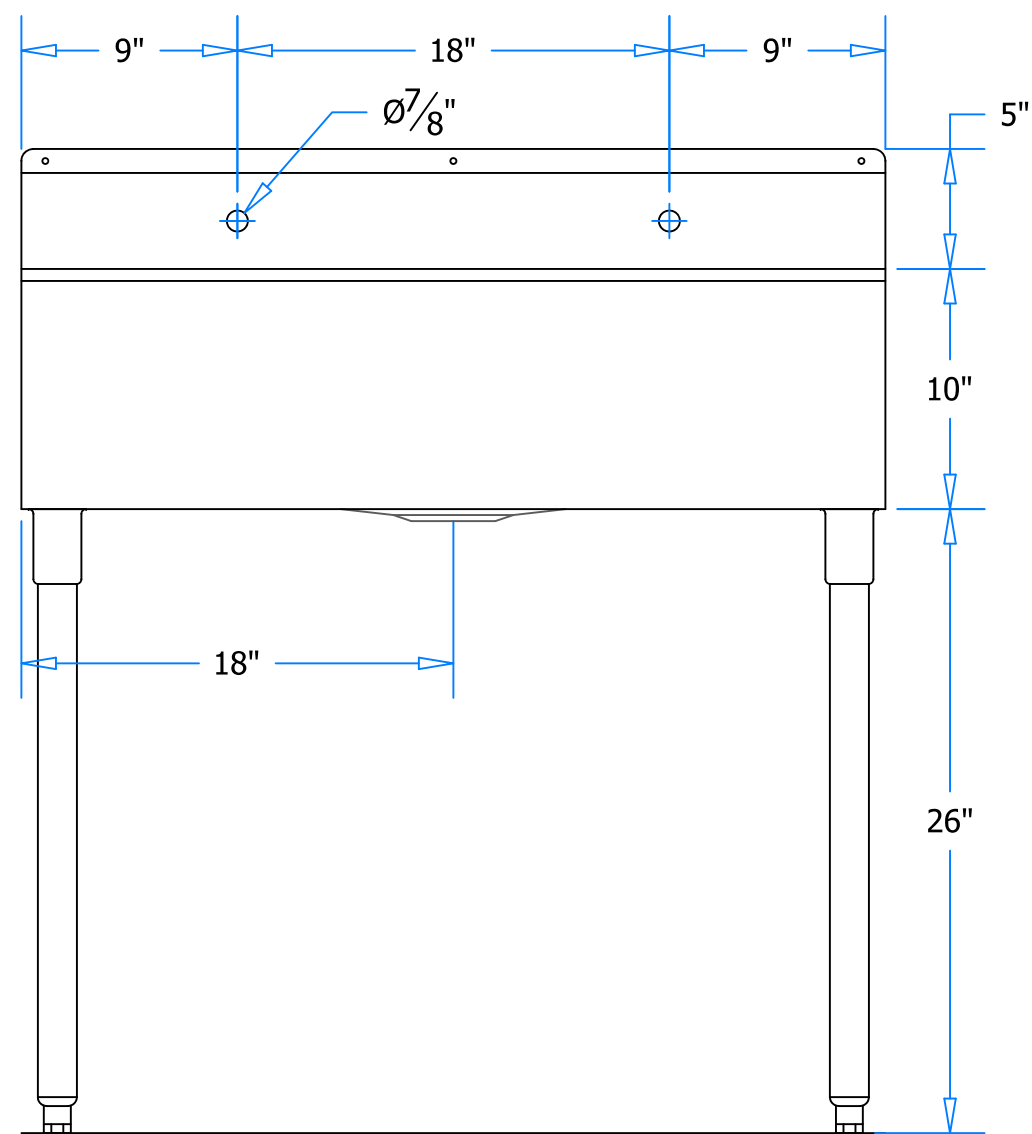
RIM DETAIL

SCALE 1"=2"



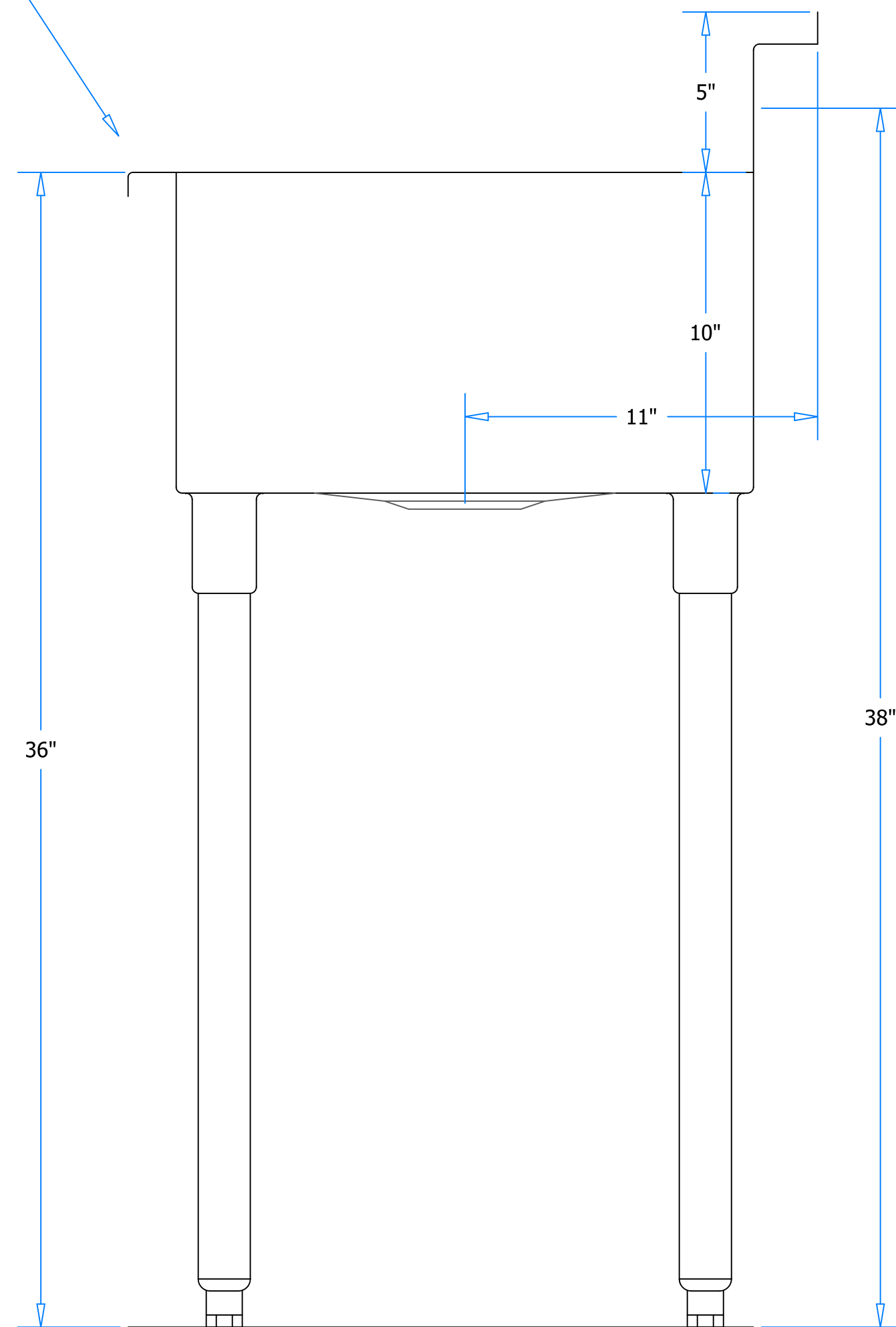
SPLASH DETAIL

SCALE 1"=1"



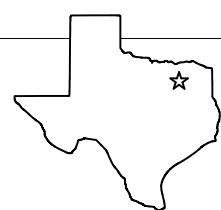
FRONT ELEVATION

SCALE 1-1/2"=1'0"



END VIEW

SCALE 3"=1'0"



**MADE IN TX, USA**

REV	DESCRIPTION	DATE	APPROVED
REVISION HISTORY			

**griffin**  
PRODUCTS INC.  
1381 Crampton Street  
Dallas, Texas 75207  
(800)379-9709 / Fax: (903) 873-6389  
www.gpsink.com

PART NUMBER	<b>PH.198.120</b>	TITLE	COVID-19 EMERGENCY DECON & HAND WASH
PRODUCT CATEGORY / FAMILY	COMPARTMENT SINKS / PHOENIX	DESCRIPTION	PHOENIX 1-COMP 36" X 18" X 10 DP SINK FH 2 X SINGLE
THE INFORMATION CONTAINED IN THIS DRAWING IS THE SOLE PROPERTY OF GRIFFIN PRODUCTS, INC. ANY REPRODUCTION IN PART OR AS A WHOLE WITHOUT THE WRITTEN PERMISSION FROM GRIFFIN PRODUCTS, INC. IS PROHIBITED.		MATERIAL	16GA (0.06 in) 304 STAINLESS STEEL
DRW. BY / DATE	SG	APPROVED BY / DATE	04/09/2020
		ALL DIMENSIONS ARE IN X INCHES	REV. SCALE SIZE SHEET
		Varies	C 1 / 1