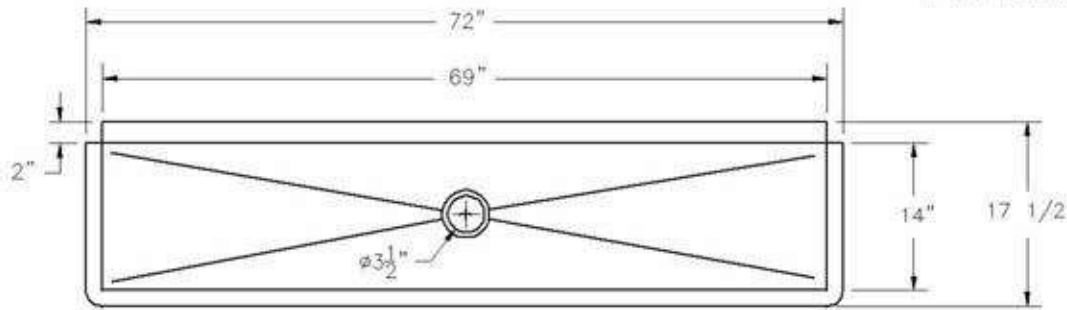


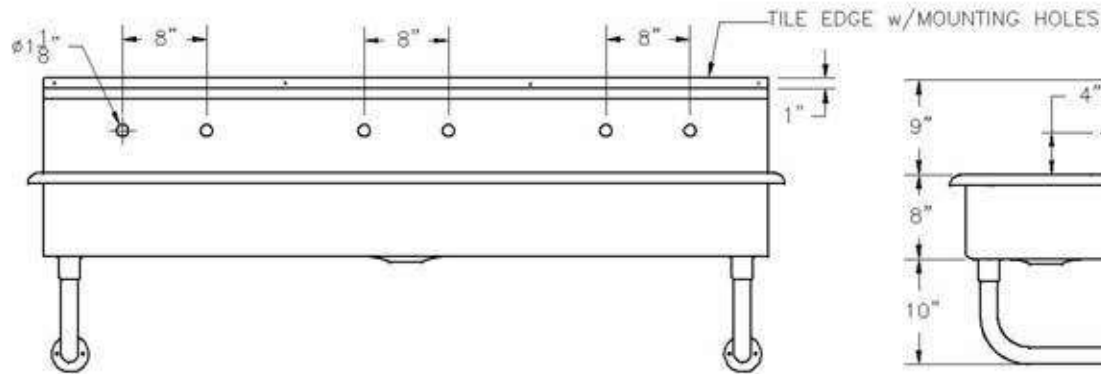


16 GA T304 STAINLESS
 16 GA T304 1-5/8" O.D. TUBULAR SUPPORTS
 ADJ. FLANGED SUPPORT w/MOUNTING HOLES

12 GA STAINLESS STEEL FLANGE WITH #4 SATIN FINISH
 (2) 11/32" DIAMETER MOUNTING HOLES, 2-1/2" OC
 3-1/2" DIAMETER FLANGE
 1-1/2" TALL WITH 1-1/8" ADJUSTMENT FOR LEVELING



INCLUDED: WA-351 FLAT STRAINER DRAIN



WILLS POINT, TEXAS

TITLE	CLIENT	REV	MATERIAL AS LISTED	DRAWN BY
		DWG NO.		
MS-372		A		JGRIFFIN
SCALE	DATE			

NON-RETURNABLE
 SIGNATURE REQUIRED