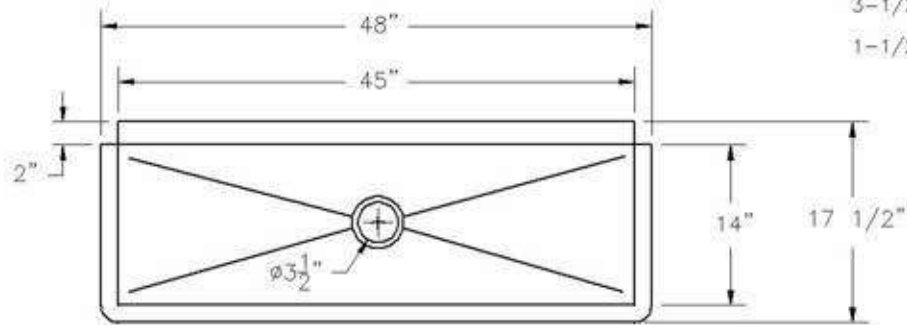


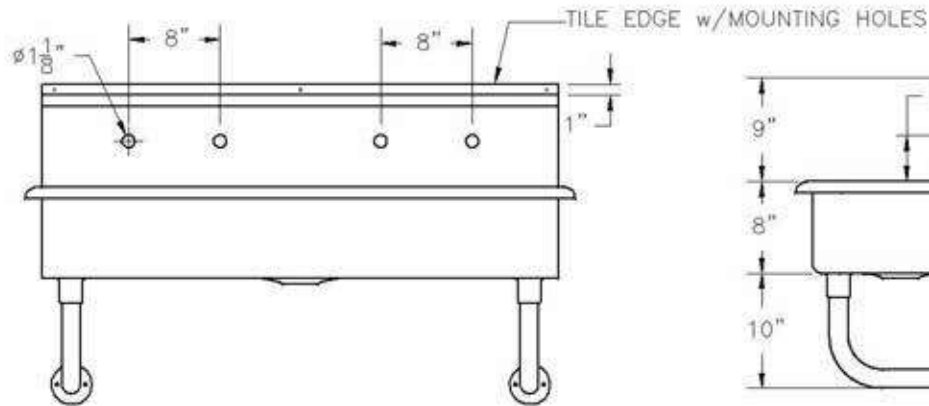


16 GA T304 STAINLESS  
 16 GA T304 1-5/8" O.D. TUBULAR SUPPORTS  
 ADJ. FLANGED SUPPORT w/MOUNTING HOLES

12 GA STAINLESS STEEL FLANGE WITH #4 SATIN FINISH  
 (2) 11/32" DIAMETER MOUNTING HOLES, 2-1/2" OC  
 3-1/2" DIAMETER FLANGE  
 1-1/2" TALL WITH 1-1/8" ADJUSTMENT FOR LEVELING



INCLUDED: WA-351 FLAT STRAINER DRAIN



WILLS POINT, TEXAS

TITLE	CLIENT	REV	DWG NO.	MATERIAL	DRAWN BY
				AS LISTED	
MS-248					
SIZE	A	SCALE	DATE		
<input type="checkbox"/> NON-RETURNABLE <input type="checkbox"/> SIGNATURE REQUIRED					