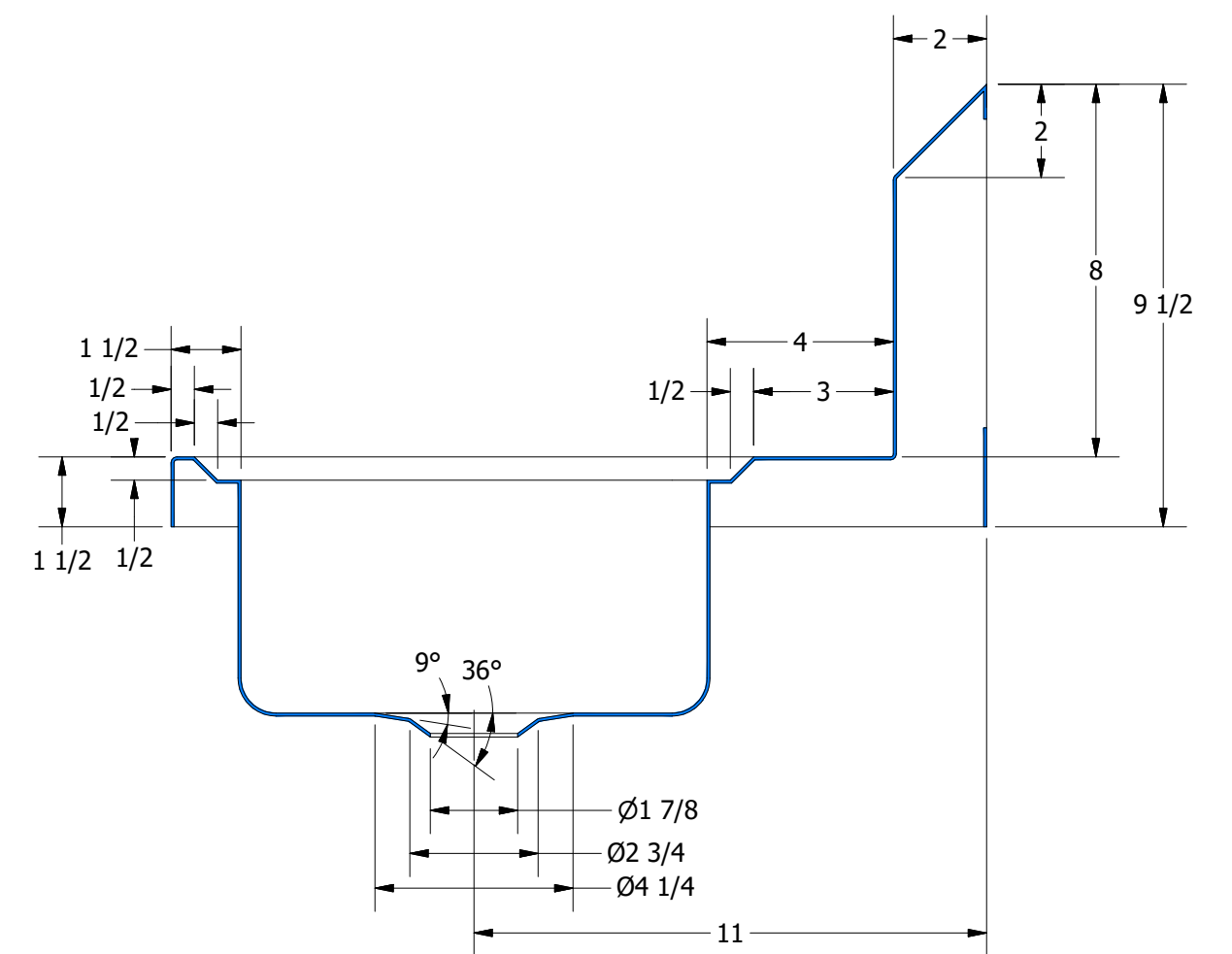
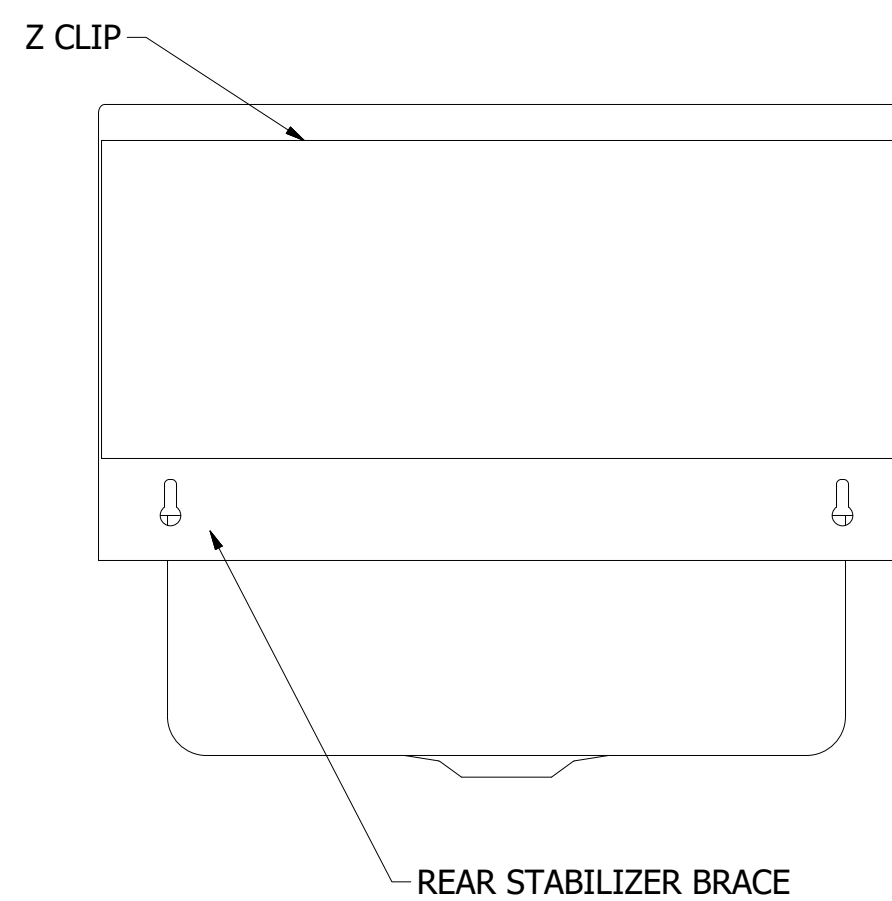


SECTION A-A
SCALE 1 / 4



SECTION B-B
SCALE 1 / 4

| REV | DESCRIPTION | DATE | APPROVED |
|------------------|-------------|------|----------|
| REVISION HISTORY | | | |



| | | | |
|---|------------------|--------------------|---|
| PART NUMBER | BR.60.228 | TITLE | BRAZOS HANDSINK |
| PRODUCT CATEGORY | HANDWASH SINK | DESCRIPTION | 16GA. SINK W. DECK MOUNTED FAUCET, WITHOUT END SPLASH |
| THE INFORMATION CONTAINED IN THIS DRAWING IS THE SOLE PROPERTY OF GRIFFIN PRODUCTS, INC. ANY REPRODUCTION IN PART OR AS A WHOLE WITHOUT THE WRITTEN PERMISSION FROM GRIFFIN PRODUCTS, INC. IS PROHIBITED. | | MATERIAL | ALL DIMENSIONS ARE IN X INCHES |
| DRW. BY / DATE | DNZ 01/24/18 | APPROVED BY / DATE | REV. SCALE 1 / 4 |
| | | | SIZE SHEET C 1 / 1 |