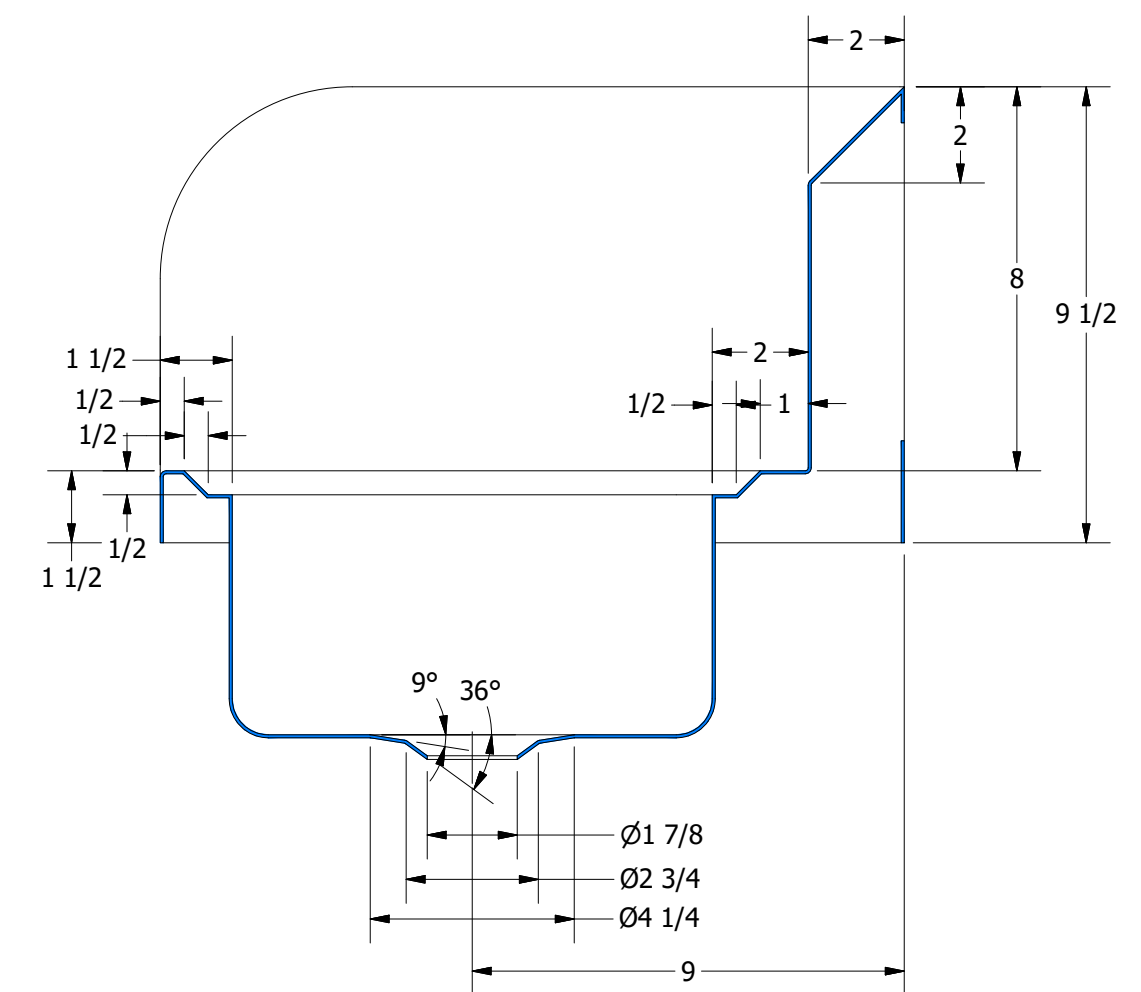
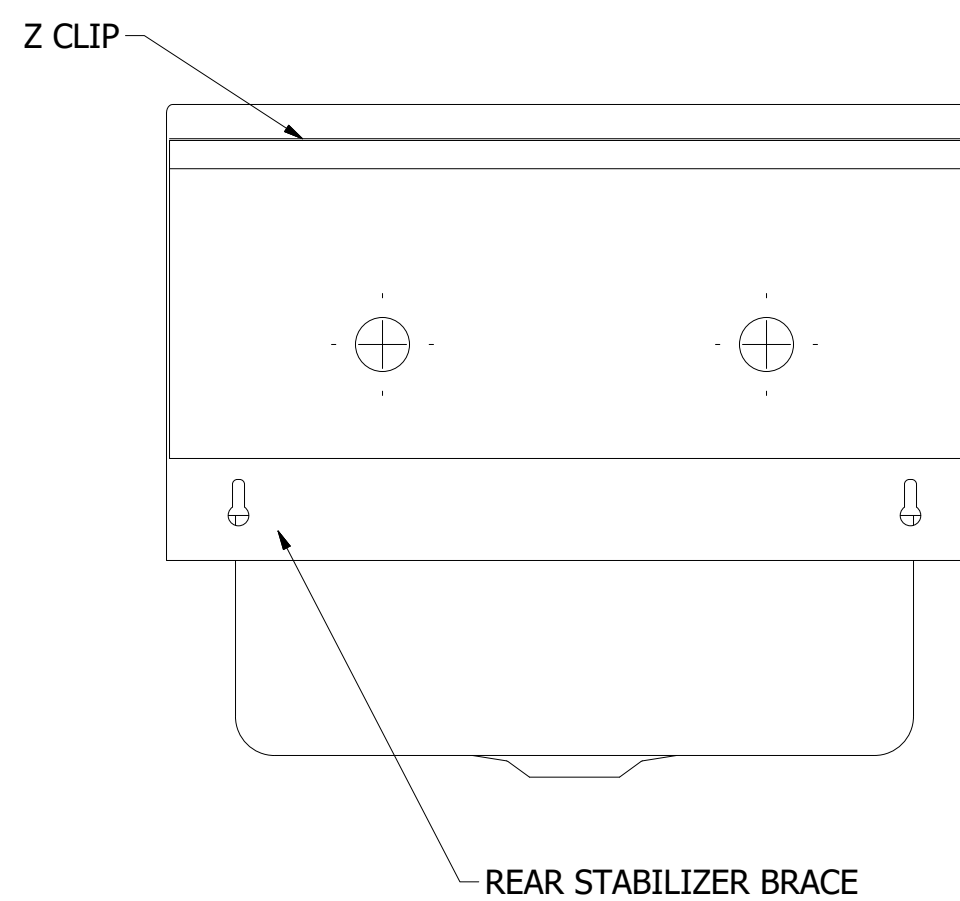


SECTION A-A  
SCALE 1 / 4



SECTION B-B  
SCALE 1 / 4

| REV              | DESCRIPTION | DATE | APPROVED |
|------------------|-------------|------|----------|
| REVISION HISTORY |             |      |          |



|   |                   |                    |  |
|---|-------------------|--------------------|--|
| PART NUMBER   | <b>BR.60.128L</b> | TITLE              | BRAZOS HANDSINK                                    |
| PRODUCT CATEGORY  | HANDWASH SINK     | DESCRIPTION        | 16GA. SINK W. WALL MOUNTED FAUCET, LEFT END SPLASH |
| THE INFORMATION CONTAINED IN THIS DRAWING IS THE SOLE PROPERTY OF GRIFFIN PRODUCTS, INC. ANY REPRODUCTION IN PART OR AS A WHOLE WITHOUT THE WRITTEN PERMISSION FROM GRIFFIN PRODUCTS, INC. IS PROHIBITED. |                   | MATERIAL           | ALL DIMENSIONS ARE IN X INCHES                     |
| DRW. BY / DATE  | DNZ 01/24/18      | APPROVED BY / DATE | REV. SCALE 1 / 4                                   |
|   |                   |                    | SIZE SHEET C 1 / 1                                 |