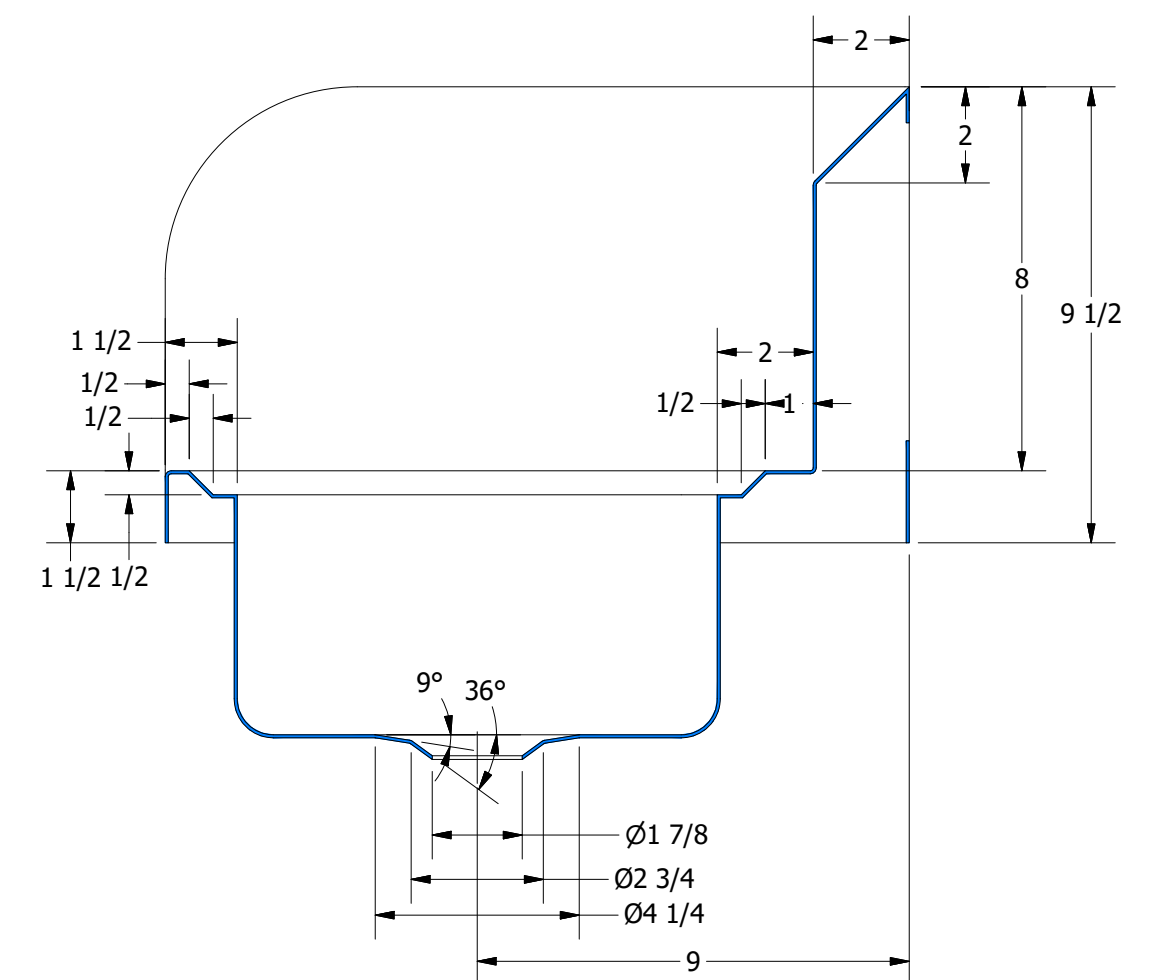
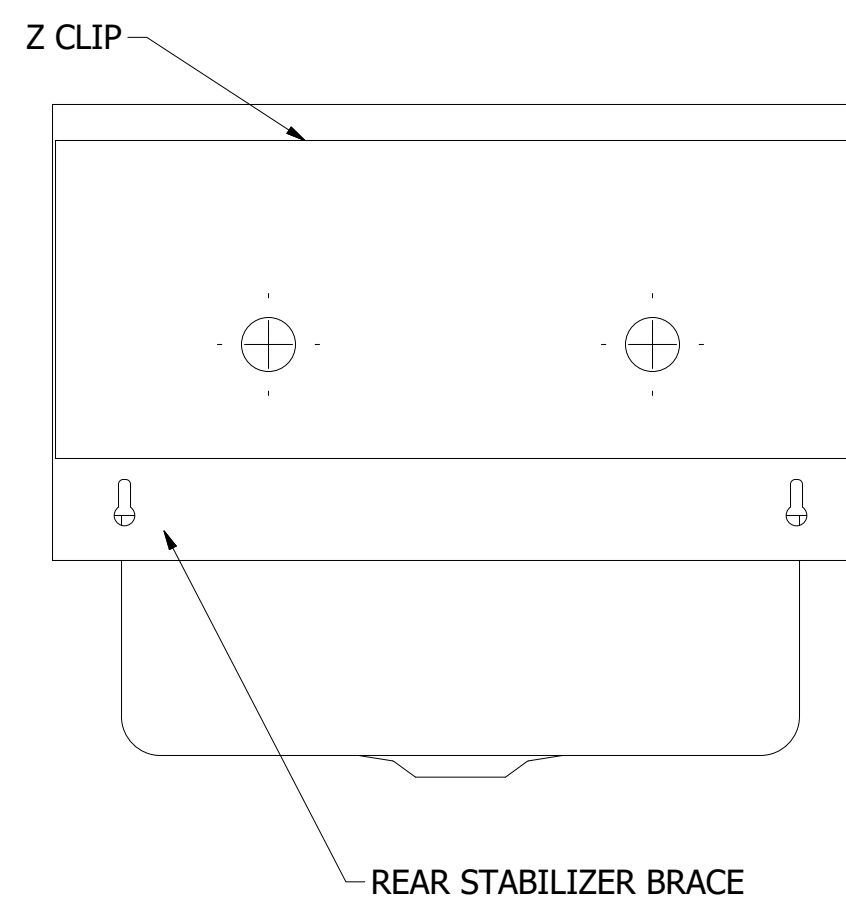


SECTION A-A
SCALE 1 / 4



SECTION B-B
SCALE 1 / 4

REV	DESCRIPTION	DATE	APPROVED
REVISION HISTORY			



PART NUMBER	BR.60.128D	TITLE	BRAZOS HANDSINK
PRODUCT CATEGORY	HANDWASH SINK	DESCRIPTION	16GA. SINK W. WALL MOUNTED FAUCET, LEFT & RIGHT END SPLASH
THE INFORMATION CONTAINED IN THIS DRAWING IS THE SOLE PROPERTY OF GRIFFIN PRODUCTS, INC. ANY REPRODUCTION IN PART OR AS A WHOLE WITHOUT THE WRITTEN PERMISSION FROM GRIFFIN PRODUCTS, INC. IS PROHIBITED.		MATERIAL	ALL DIMENSIONS ARE IN X INCHES
DRW. BY / DATE	DNZ 01/24/18	APPROVED BY / DATE	REV. SCALE 1 / 4
			SIZE SHEET C 1 / 1