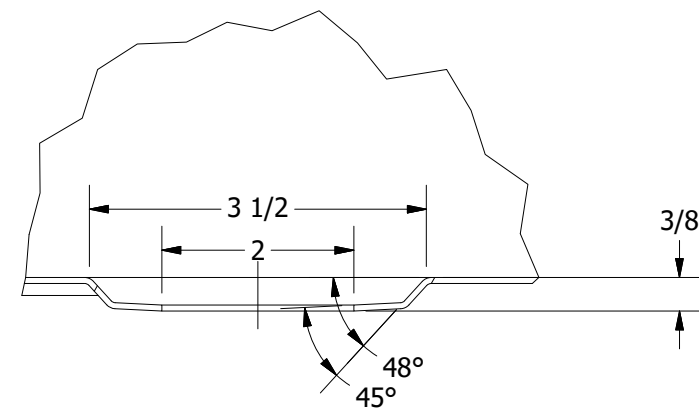
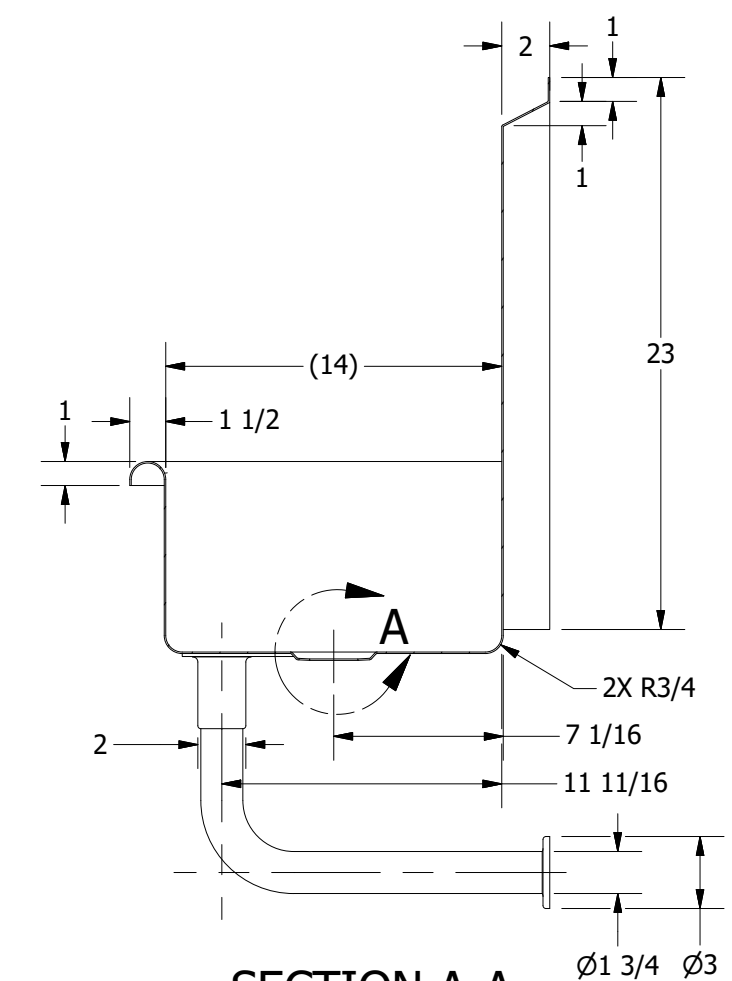
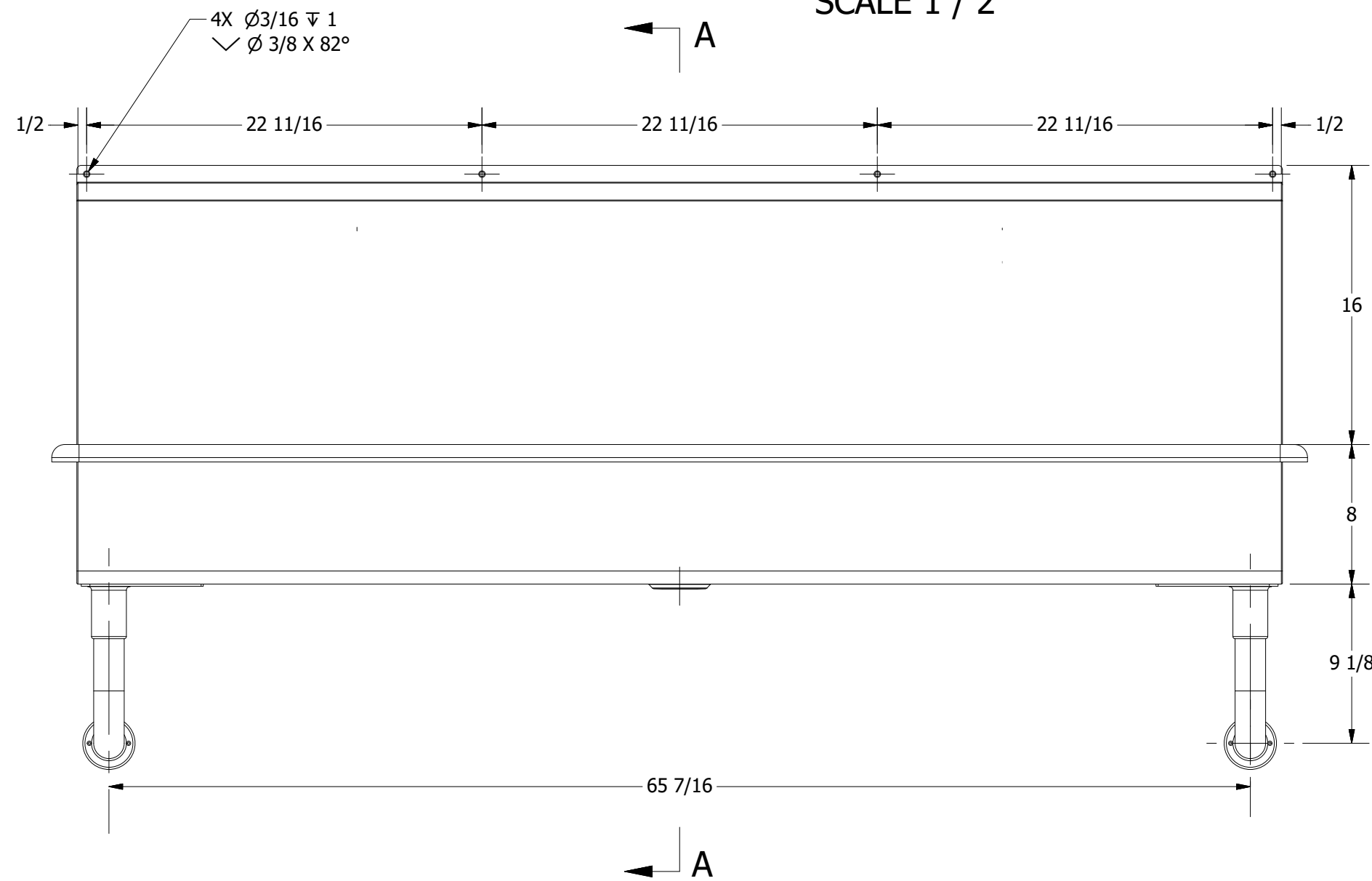


3D  
SCALE 1/12



DETAIL A  
SCALE 1 / 2



SECTION A-A  
SCALE 1/8

REV	DESCRIPTION	DATE	APPROVED
REVISION HISTORY			



PART NUMBER	<b>PA.72FP</b>	TITLE	<b>PALUXY</b>
PRODUCT CATEGORY	URINAL	DESCRIPTION	<b>16 GA PALUXY - FLUSH PIPE URINAL</b>
THE INFORMATION CONTAINED IN THIS DRAWING IS THE SOLE PROPERTY OF GRIFFIN PRODUCTS, INC. ANY REPRODUCTION IN PART OR AS A WHOLE WITHOUT THE WRITTEN PERMISSION FROM GRIFFIN PRODUCTS, INC. IS PROHIBITED.		MATERIAL	<b>16GA (0.06) 304 STAINLESS STEEL</b>
DRW. BY / DATE	DNZ 08/23/18	APPROVED BY / DATE	
		ALL DIMENSIONS ARE IN X INCHES	
REV.	SCALE	SIZE	SHEET
	1/8	C	1 / 1