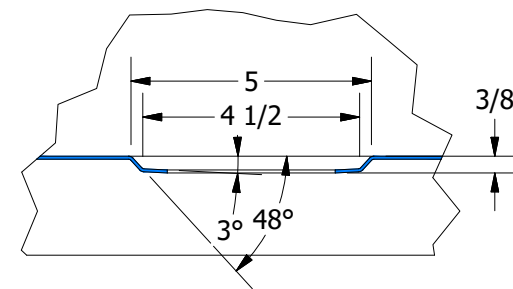
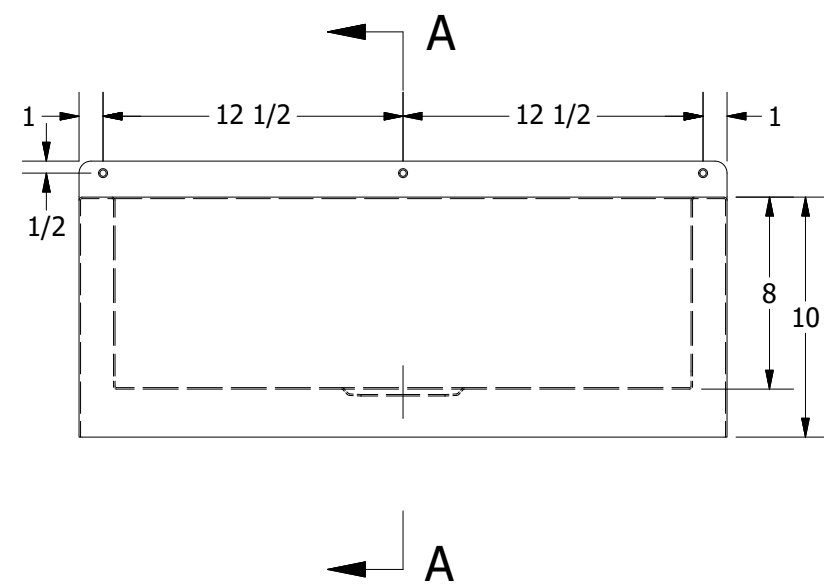
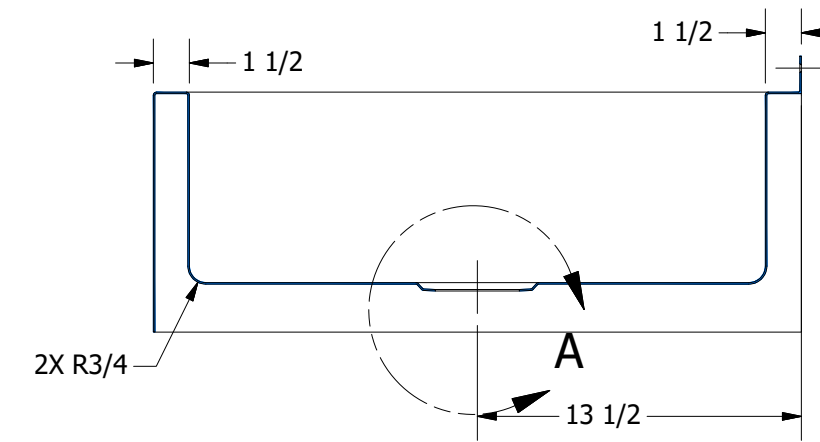


3D
SCALE 1 / 8



DETAIL A
SCALE 1 / 4



SECTION A-A
SCALE 1/8

REV	DESCRIPTION	DATE	APPROVED
REVISION HISTORY			



PART NUMBER	UM_244		TITLE	MEDINA SERIES MOP SINK		
PRODUCT CATEGORY	MOP SINK		DESCRIPTION	16 GA MOP SINK		
THE INFORMATION CONTAINED IN THIS DRAWING IS THE SOLE PROPERTY OF GRIFFIN PRODUCTS, INC. ANY REPRODUCTION IN PART OR AS A WHOLE WITHOUT THE WRITTEN PERMISSION FROM GRIFFIN PRODUCTS, INC. IS PROHIBITED.			MATERIAL	16GA (0.06 in) 304 STAINLESS STEEL		
DRW. BY / DATE	DNZ	01/24/18	APPROVED BY / DATE	REV.	SCALE	SIZE SHEET
				1/8	C	1 / 1