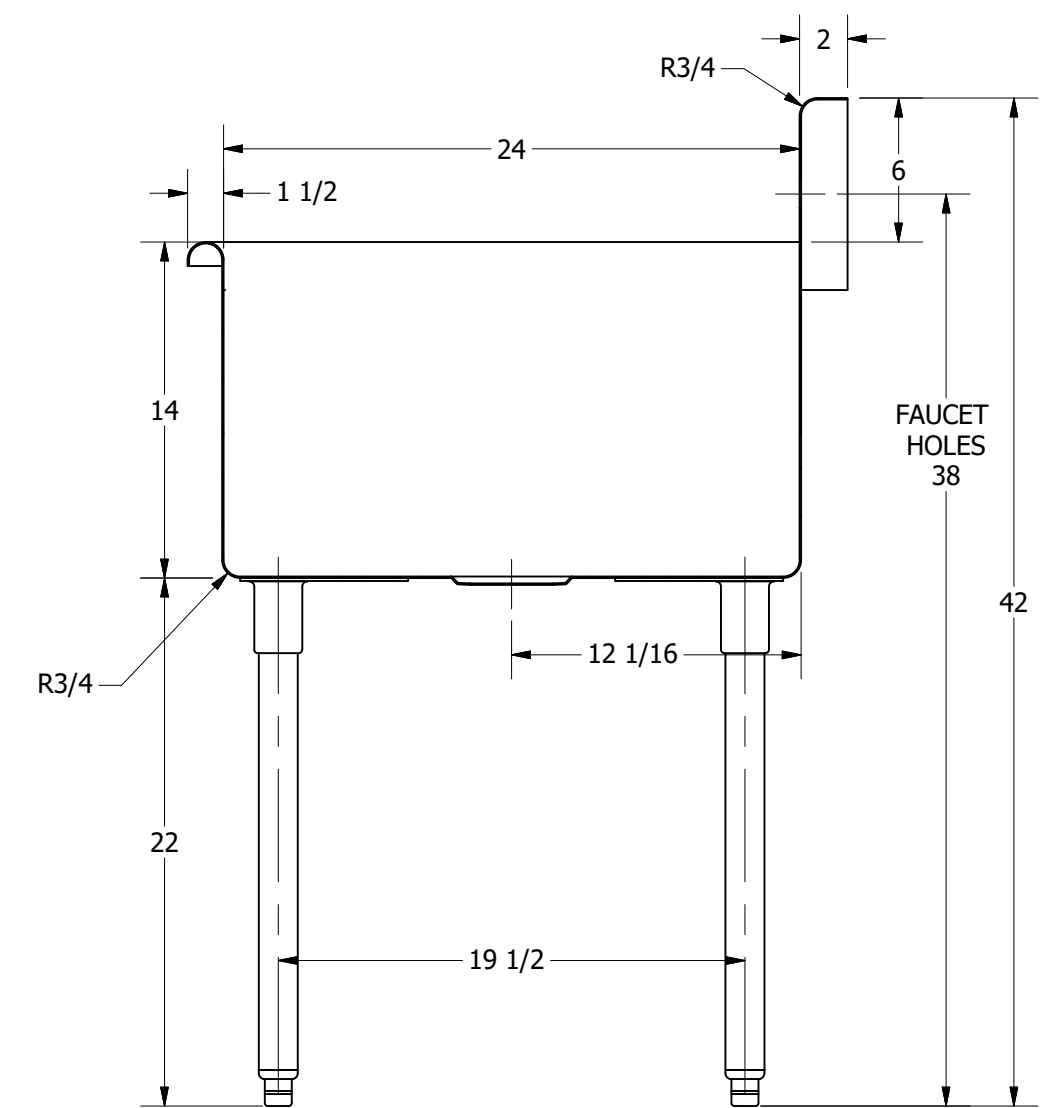
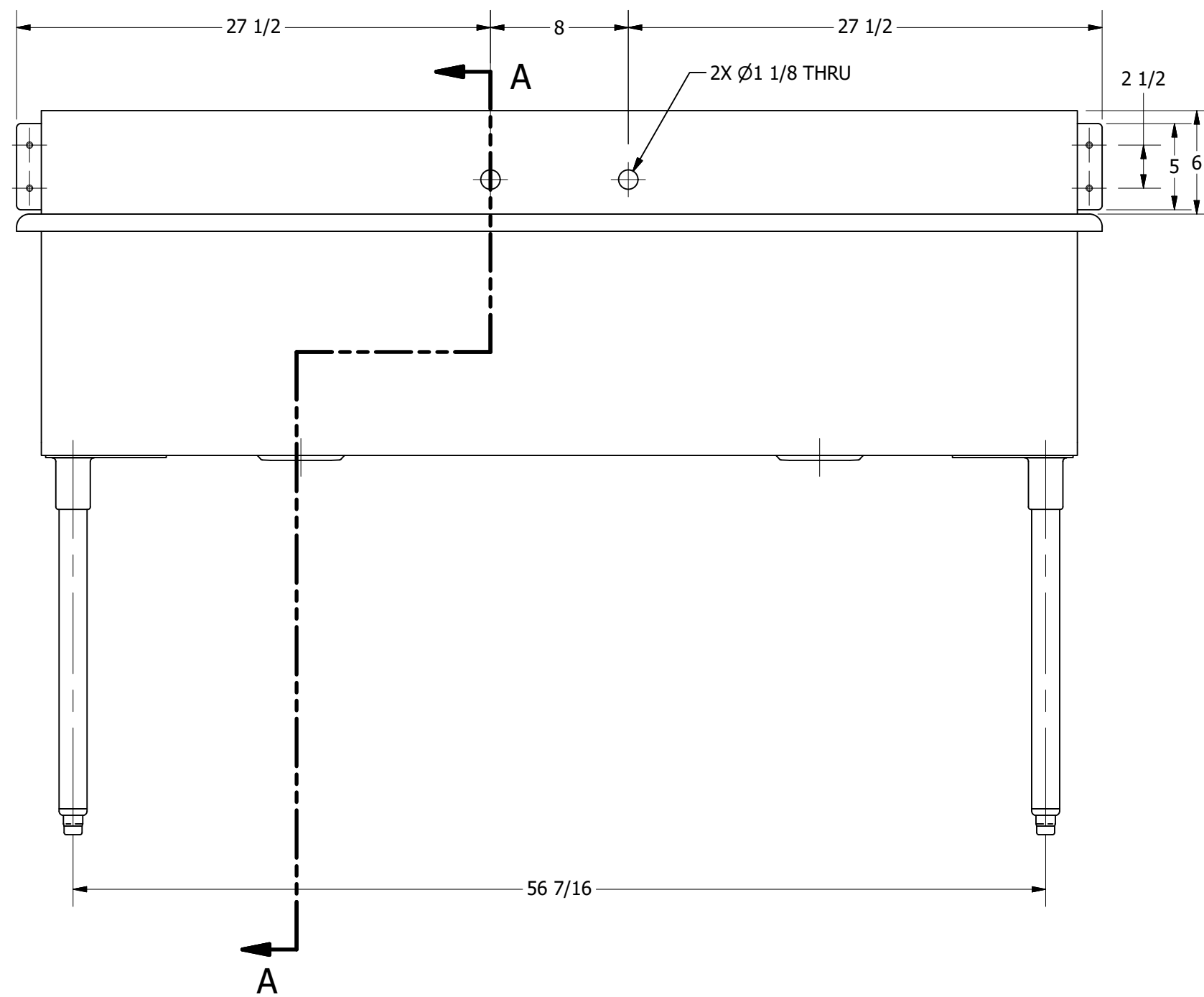


3D
SCALE 1/12



SECTION A-A
SCALE 1/8

| REV | DESCRIPTION | DATE | APPROVED |
|------------------|-------------|------|----------|
| | | | |
| | | | |
| | | | |
| REVISION HISTORY | | | |



| | | | |
|---|------------------|--------------------|------------------------------------|
| PART NUMBER | TE 234.00 | TITLE | TERRELL SERIES SQUARE SINK |
| PRODUCT CATEGORY | SQUARE SINK | DESCRIPTION | 16GA 2 COMPARTMENTS SINK |
| THE INFORMATION CONTAINED IN THIS DRAWING IS THE SOLE PROPERTY OF GRIFFIN PRODUCTS, INC. ANY REPRODUCTION IN PART OR AS A WHOLE WITHOUT THE WRITTEN PERMISSION FROM GRIFFIN PRODUCTS, INC. IS PROHIBITED. | | MATERIAL | 16GA (0.06 in) 304 STAINLESS STEEL |
| DRW. BY / DATE | DNZ 01/24/18 | APPROVED BY / DATE | |
| ALL DIMENSIONS ARE IN X INCHES | | REV. | SCALE |
| | | 1/8 | SIZE SHEET |
| | | C | 1 / 1 |