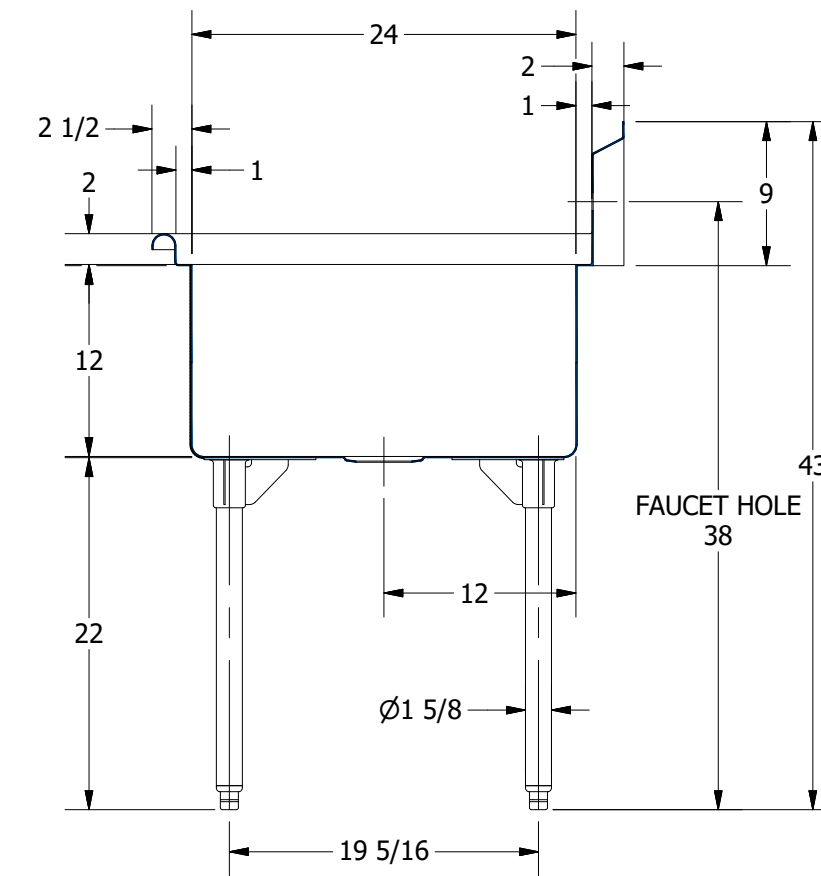


SECTION A-A
SCALE 1:12



SECTION B-B
SCALE 1:12

| REV | DESCRIPTION | DATE | APPROVED |
|------------------|-------------|------|----------|
| REVISION HISTORY | | | |



| | | | |
|---|---------------|--------------------------------|--|
| PART NUMBER | 344.04 | TITLE | TRINITY SERIES SCULLERY SINK |
| PRODUCT CATEGORY | SCULLERY SINK | DESCRIPTION | 14GA 3 COMPARTMENTS SINK WITH RIGHT DRAINBOARD |
| THE INFORMATION CONTAINED IN THIS DRAWING IS THE SOLE PROPERTY OF GRIFFIN PRODUCTS, INC. ANY REPRODUCTION IN PART OR AS A WHOLE WITHOUT THE WRITTEN PERMISSION FROM GRIFFIN PRODUCTS, INC. IS PROHIBITED. | | MATERIAL | 14GA (0.075 in) 304 STAINLESS STEEL |
| DRW. BY / DATE | DNZ 01/24/18 | APPROVED BY / DATE | |
| | | ALL DIMENSIONS ARE IN X INCHES | |
| REV. | SCALE | SIZE | SHEET |
| | 1:12 | C | 1 / 1 |